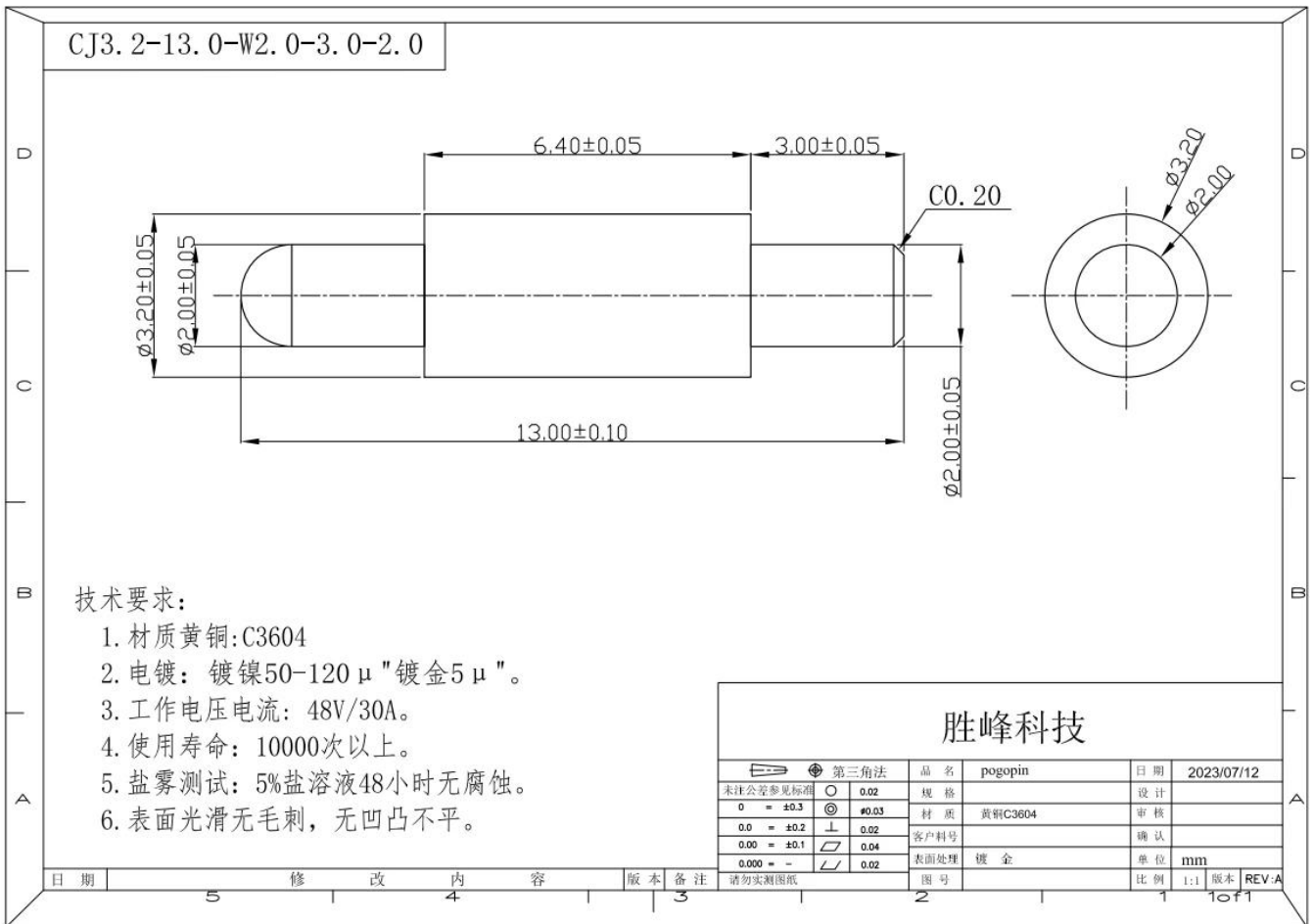




SFENG 1984 Pogo Pin



品名	SF-000
规格	100
数量	0000070000



1. 0000024000000000
2. 00000000OEM
3. 00000000000000000000

4. [Placeholder]



1. [Placeholder] PCB [Placeholder] FCT [Placeholder]

2. Pogo pin [Placeholder]

3. [Placeholder] BGA [Placeholder]

4. [Placeholder] QZ [Placeholder] VZ [Placeholder] LM [Placeholder]

5. [Placeholder]

6. [Placeholder] / [Placeholder]

7. [Placeholder] 30#OK [Placeholder] POM [Placeholder]

[Placeholder]



1. Raw material warehouse



2. Lathe workshop



3. Assemble workshop



4. Quality inspection



5. Finished products



6. Packing







Q1. 請選出五個

A1:

Q2. 請選出五個

A2:

Q3. 請選出五個

A3:

Q4. 請選出五個

A4:

Q5. 請選出五個

A5: [Placeholder]

**Q6.** [Placeholder]

A6: [Placeholder]

**Q7.** [Placeholder] **OEM** [Placeholder] **ODM** [Placeholder]

A7: [Placeholder] OEM/ODM [Placeholder]

**Q8.** [Placeholder]

A8: [Placeholder]