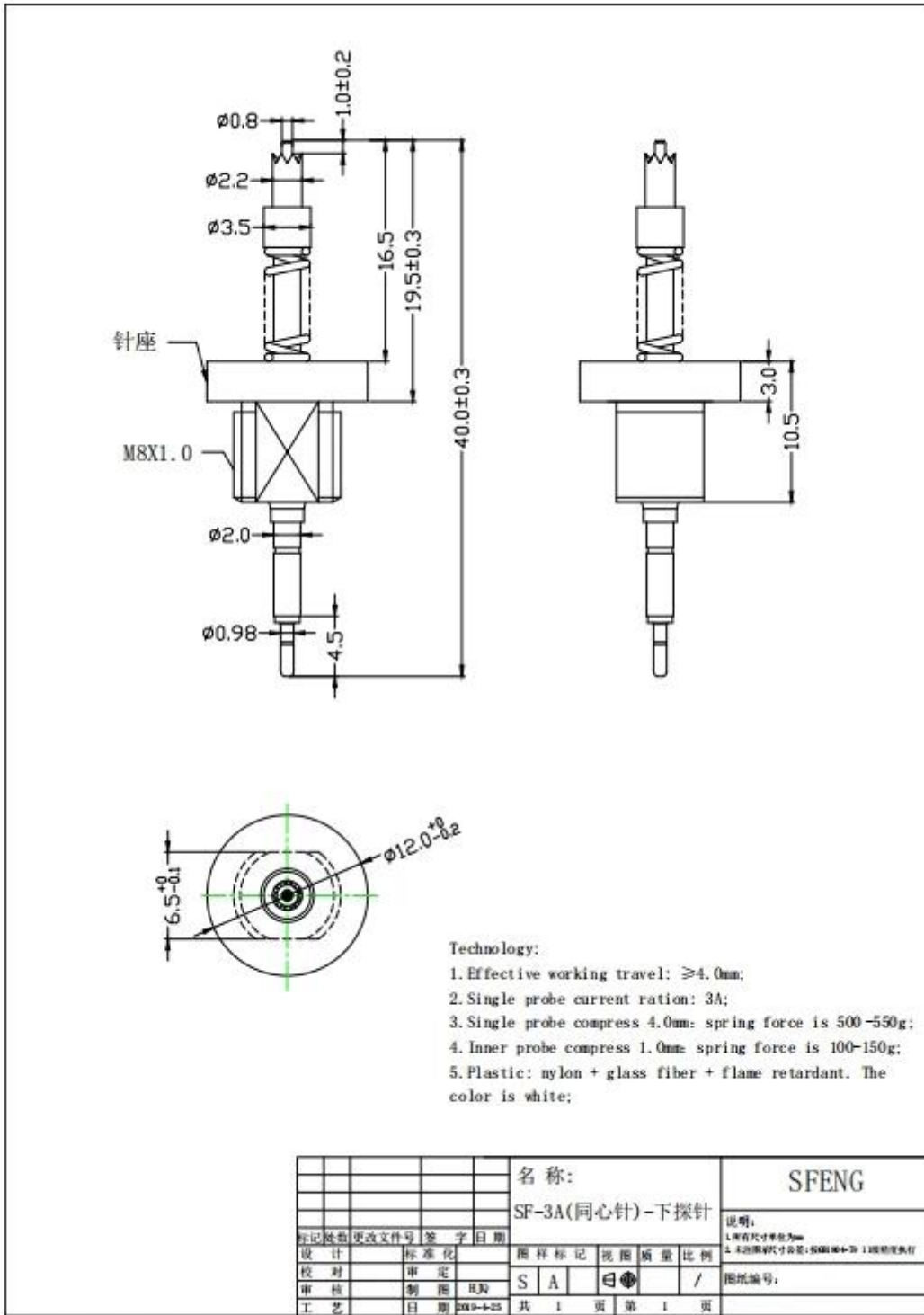


About us

SFENG was founded in 1978 and headquartered in Ningbo. It is a professional enterprise integrating research, development, production, and sales. ([Current Pin For Battery on sale china](#)) Products include in-circuit spring test probe, semiconductor spring test probe, battery charging pogo pin and the related accessories. Products are widely used in technology, automobiles, energy, telecommunications, medical, and other peripheral electronic products.

Product drawing:



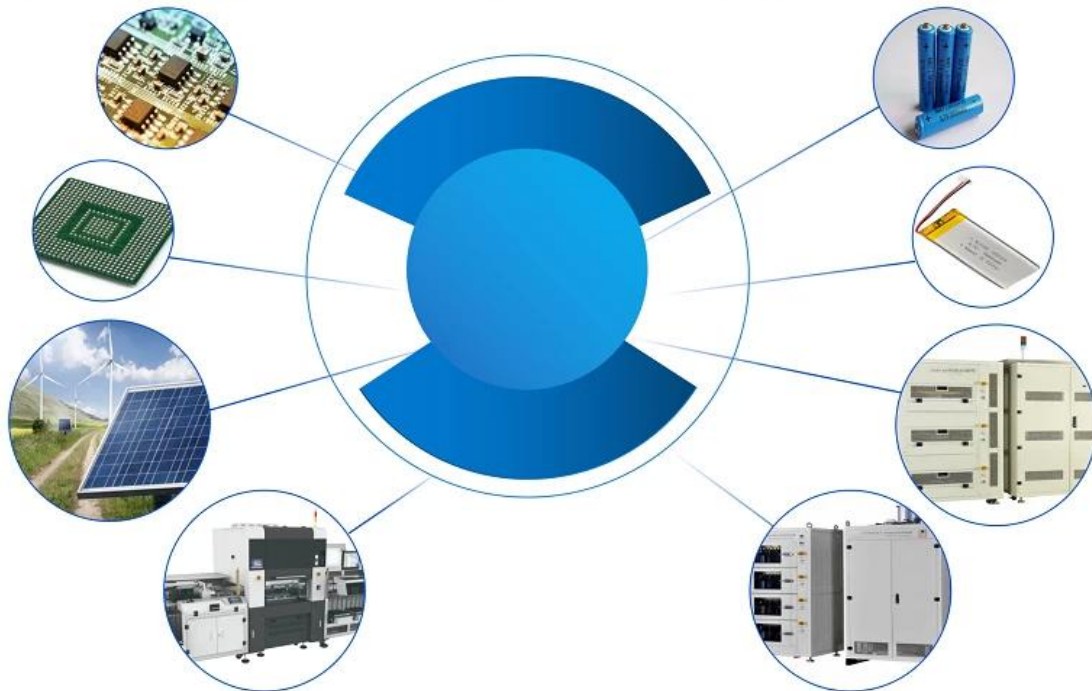
Product Parameters:

Model Number	SF-2.0*40.0
Current Rating	3A
Contact resistance (initial)	$\leq 20\text{m}\Omega$

Mechanical Life Exceeds	≥30000 times
Operating Temperature	-40°C/+105 °C
Full Compression Travel	≥5.0mm
Recommended Work Travel	550g±20%(4.0mm)
Packing	Plastic box and loaded into carton
Lead time	7-10 working days after receiving the payment

Applications:

Application



Package:



Logistics:

Sample order ship by DHL, UPS, FedEx, TNT, EMS etc

For mass order delivery, can be optional with terms of Exwork, FOB, CNF, CIF by air or by sea based on the buyer's forwarder or ours



Factory Show:





