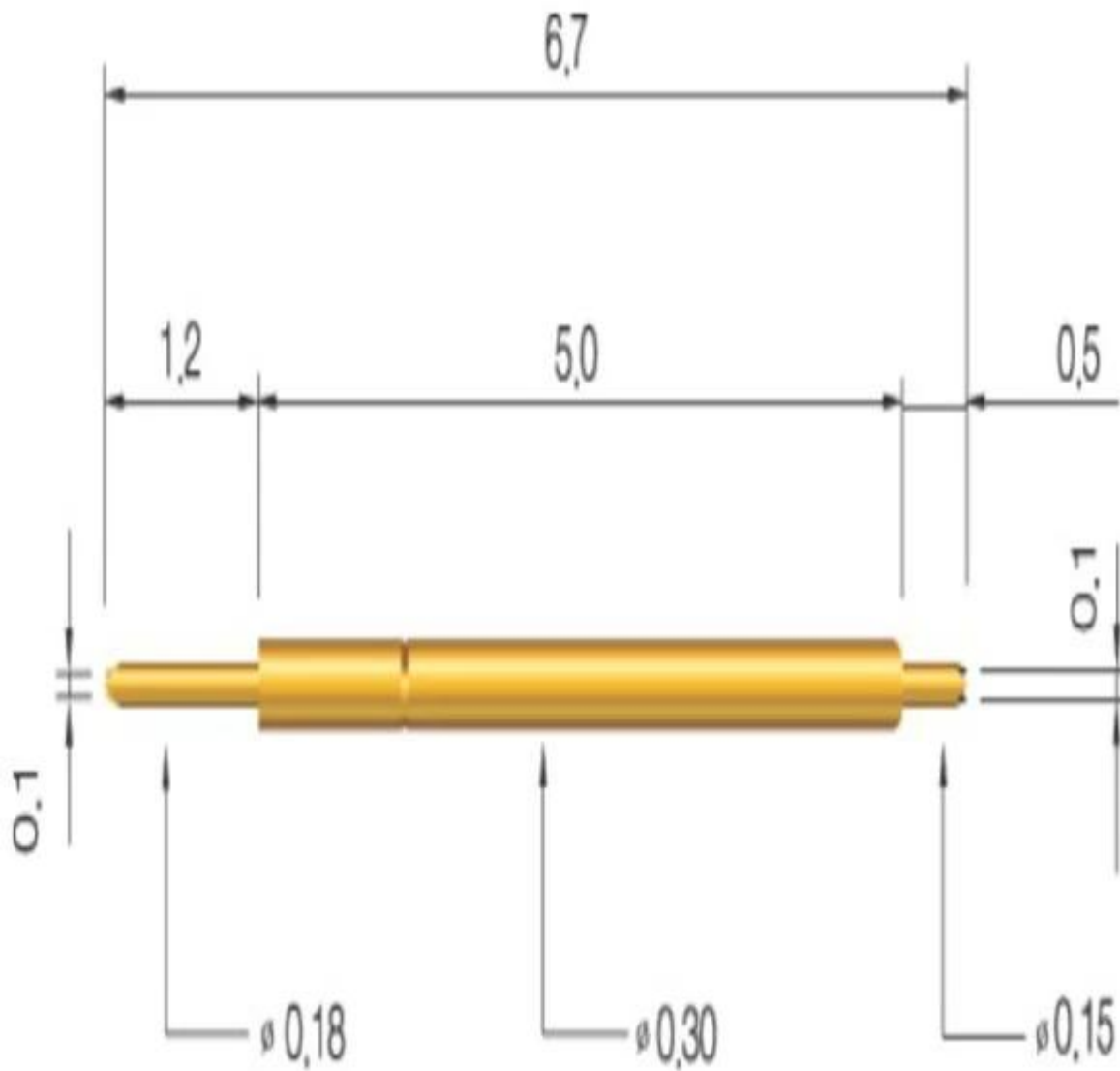


□□□□

□□	SFENG
□□	□□□□ ϕ 0.3* 6.7
□□	SK4□□□□
□□	□□
□□	SK4□□□□
□□	20□
□□	1A
□□	□□50mohm
□□□□□	2.75□□
MOQ	100 □
□□□□	7 □□□□□□□□

□□□□



□□□□

1. Reply □□□□withn 24□□□□
2. Customized □□□□□□OEM□□
3. Delivery □□□□□□□□□□□□□□□□
4. □□□□□□□□□□□□□□□□

□□□□

- PCB□ICT□FCT□□□□;
- usuallytemporary□□□□
□□□□□□□□□□□□□□□□□□□□□□□□;
- interconnectApplications;
- probef orBGA□□□□; semiconudtion□□;
- coatingpin□LM□withQZ□□□□; VZseries;
- ...
- ;□□/□□;
- 30□OKwire□□□□□□□□POM□Ironhinge□

□□□□

Spring exhausted tester	DC power supply	Current resistance tester
		
Microscope	Tensile strength tester	Spring tester
		

□□□□

