

□□□□

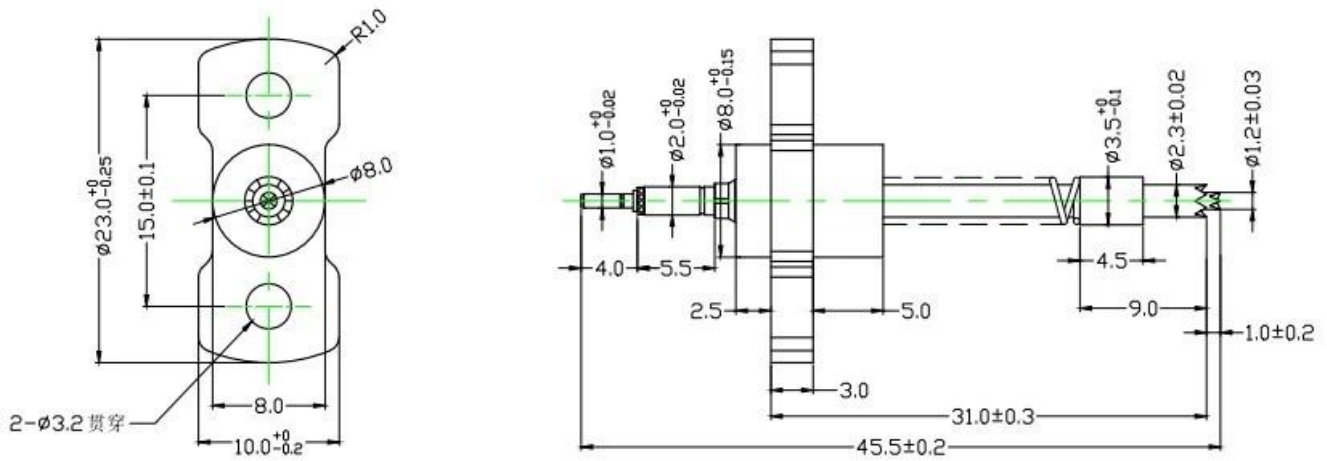
□□“□□□□”□□□□□□“□□□□”□□□□“□□□□”□□□□“□□□□”□□□□“□□□□”□□□□□□□□

□□□□

□□□□	SF6923
□□□	≥6.0mm
□□□	700g±15%gf@ □□ 4.0mm 400g±15%gf@ □□ 1.0mm
□□□	200PCS
□□	□□□□□□
□□□□	100% T/T □□□
□□□□	5-10 □ □□ □□□

□□ □□





Production Flow (生产流程)



1. raw material warehouse



2. Lathe workshop



3. Assemble workshop



4. Quality inspection



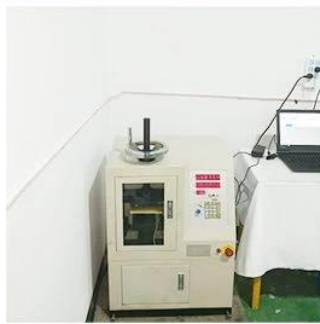
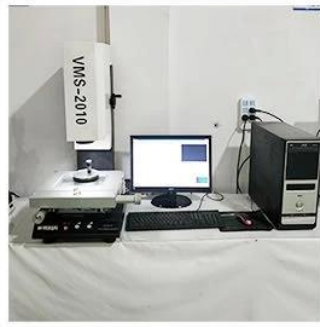
5. Finished products



6. Packing



Measuring Equipment >



Measuring Equipment:

1. Agilent current testing;
2. Quadratic element measurement
3. Load Curve Meter
4. Bond Test
5. Life Fatigue Test





□□ □□



QMS CERTIFICATE OF REGISTRATION

Registration No.: 12815Q20988R0S

This is to certify that the Quality Management System of
Suzhou Shengteng Electronic Co., Ltd.

Organization code :55025791-9

Registered address: Suzhou high tech Zone Binhe Road, No.588 SEG electronics market 3D01 room
215400 P.R.China

Has been audited to conform to the following Quality Management
System Standard:
GB/T19001-2008

For the whole process of
Sales of probe and related accessory

First S.A.	贴标处
------------	-----

Second S.A.	贴标处
-------------	-----

Third S.A.	贴标处
------------	-----

The term of validity of the certificate, the certificate shall be at least once
a year the surveillance audit, With qualified logo, for the effective certificate.
The certificate information is available in the certification and Accreditation
Administration of the People's Republic of China's official website: www.cnca.gov.cn

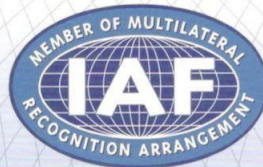
DATE OF ISSUE: 09-11-2015

DATE OF SUPERVISION : 09-11-2015

VALID UNTIL: 09-10-2018



Management System
CNAS C128-Q



Room 703, Building 1, No. 22, B, Fuchengmenwai Street,
Xicheng District, Beijing
010-68396010



