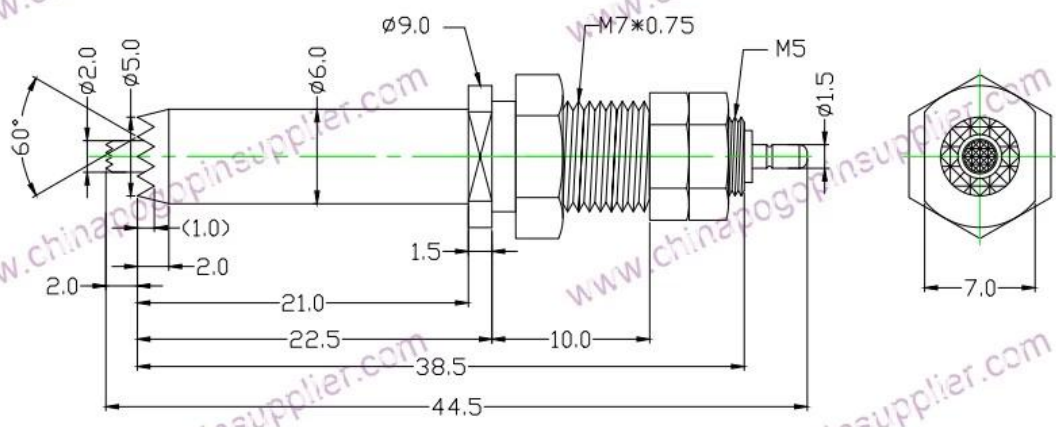


□□□□

□	ENG
□□□□	□□□□SF-PV1-H H M7 * 44.5MM
□□□□□	□□□□□
□□□□	□□□□□□7□□□□

□□□□





服务宗旨

1. 24小时售后服务
2. OEM
3. 质量第一
4. 价格公道

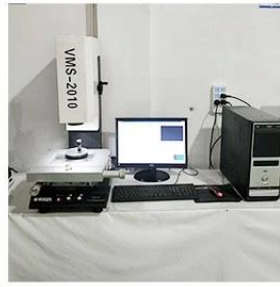
产品

- PCB
- ICT
- FCT
- BGA
- LM
- QZ
- VZ
- 30 OK
- POM

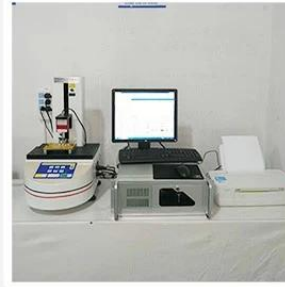
服务



1. Agilent current testing



2. Quadratic element



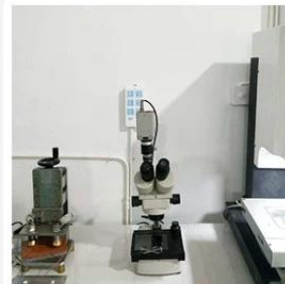
3. Load Curve Meter



4. Bond Test



5. Life Fatigue Test



6. Microscope



Standard products will be delivered out within 3 days. Customized products will be sent out within 15 days.

