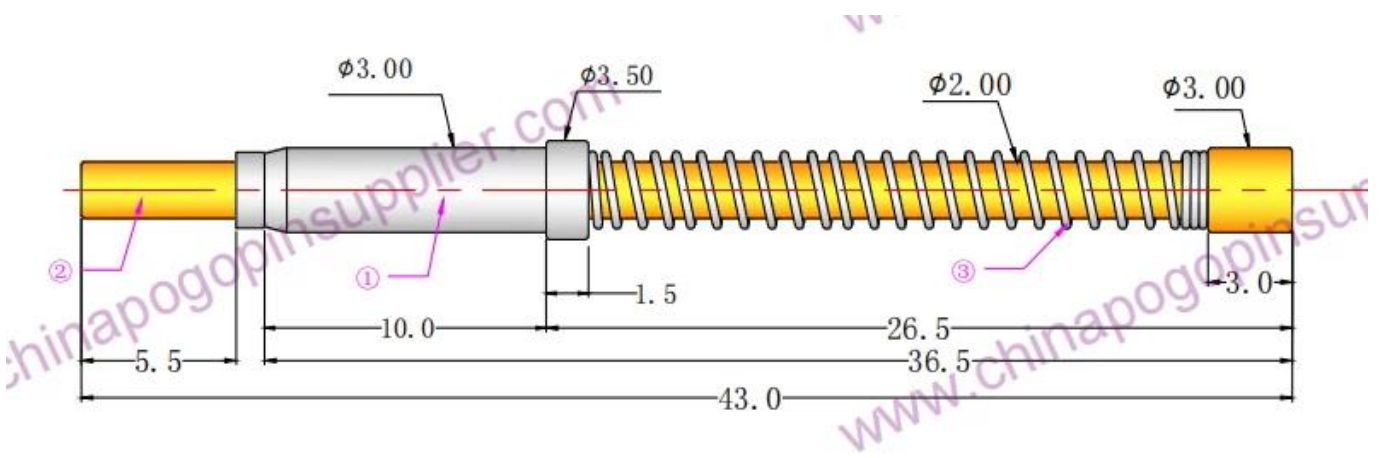


□□□□

□□	SFENG
□□□□	SF-PA3□0*43-G
□□	Ph, Au □ Ni
□	□□□□□
□□	SUS304
□□□	1500□
□□□□	6A
□□ □□	50□□
□□□	100 □
□□□□	□□□□□7□□□□

□□ □□



□□□□



[chinapogopinsupplier.com](http://chinapogopinsupplier.com)

### 服務項目

1. 承接各類24小時緊急維修服務
2. 承接各類OEM
3. 承接各類精密加工服務
4. 承接各類精密加工服務

### 產品系列

承接 PCB、ICT、FCT 各類精密加工

Pogo pin 承接各類精密加工服務

承接 BGA 各類精密加工



承接各類精密加工 QZ、VZ、LM

承接各類精密加工

□□□□/□□□

□□□□□□□□30#OK□□□□□□POM□□□□□

□□□□

Spring exhausted tester	DC power supply	Current resistance tester
 A tall, white, cabinet-style machine with a glass door on the upper half and a smaller door on the lower half.	 A white, rectangular device with a black top panel. The front panel features a red power switch, several knobs, and a digital display. The brand name 'YoRi' is visible.	 A white, rectangular device with a large green digital display showing '8888'. It has a warning symbol and a power button on the right side.
Microscope	Tensile strength tester	Spring tester
 A white and black compound microscope on a wooden desk.	 A blue and white mechanical testing machine with a vertical column and a sample holder.	 A white mechanical testing machine with a digital display and a control panel, used for testing springs.

□□□□

