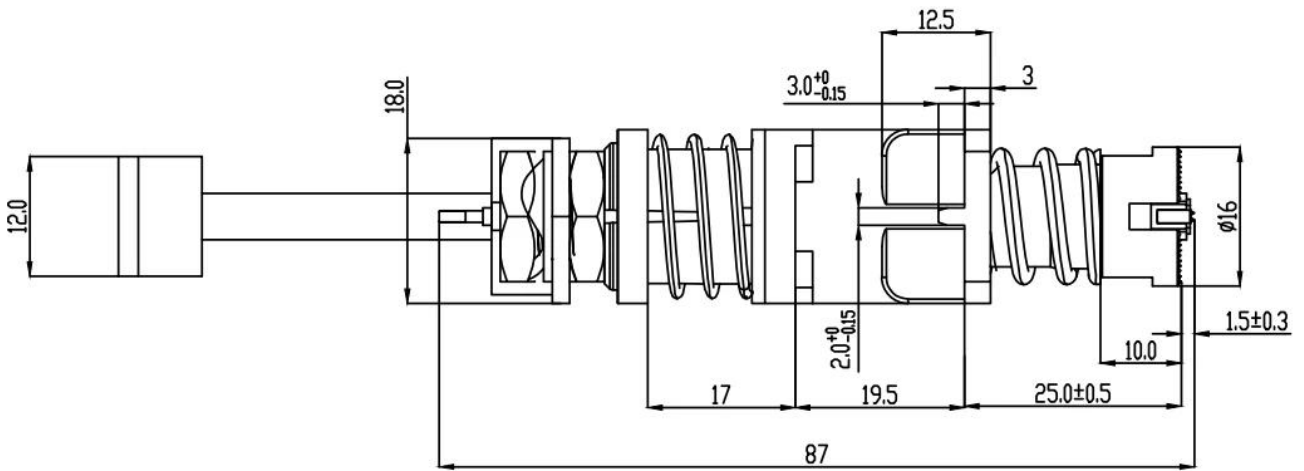


# 60A

□□ □□	60A
□□ □□	SF6009
□□	□□ □□ □□ □□ □□
□□	□□□□ □□
□□ □□	60A
□□ □□	5000 ±20%

□□□□



**SFENG**  
The China's The World's





## 產品

1. 24 孔
2. OEM
- 3.
- 4.

## 應用

PCB ICT FCT

Pogo pin

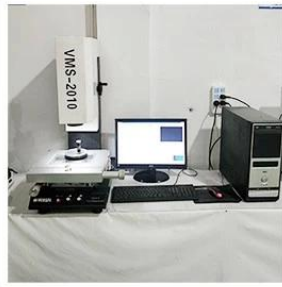
BGA

QZVZLM

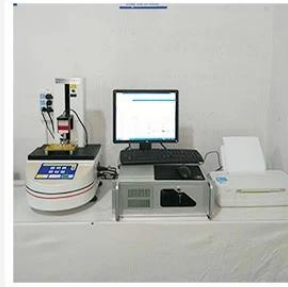
30#OKPOM



1. Agilent current testing



2. Quadratic element



3. Load Curve Meter



4. Bond Test



5. Life Fatigue Test



6. Microscope

Standard products will be delivered out within 3 days. Customized products will be sent out within 15 days.

