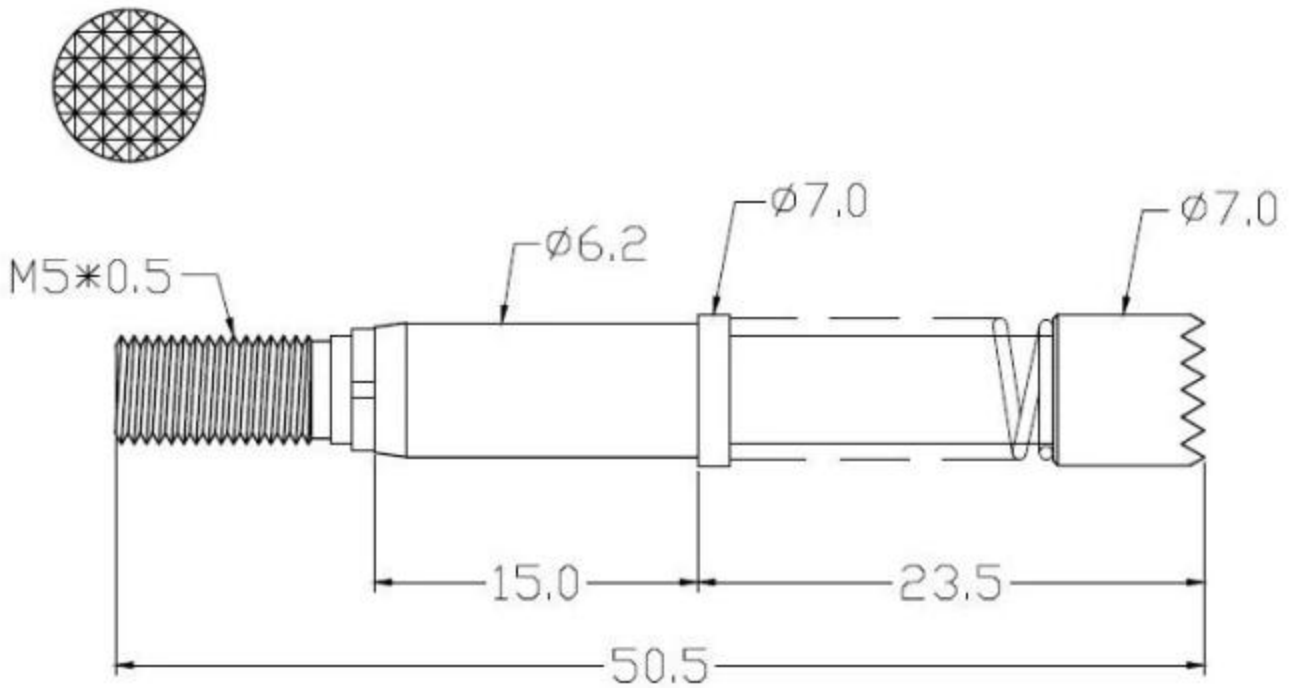


□□□□

□□	SF-7.0*50.5
□□	□□□
C□□□□	30A
□□□□□□□□	5.0mΩ
□□□□□	≥6.0mm
□□□□□□	1.5kg±20%□4.0mm□

□□□□



□□□□□

- 24 □□□□□□□□□□□□□□
- OEM□

3. 30#OK

4. POM

0000

PCB ICT FCT

Pogo pin

BGA

QZ VZ LM

30#OK POM

0000



1. Raw material warehouse



2. Lathe workshop



3. Assemble workshop



4. Quality inspection



5. Finished products



6. Packing

0000





Standard products will be delivered out within 3 days. Customized products will be sent out within 15 days.



