

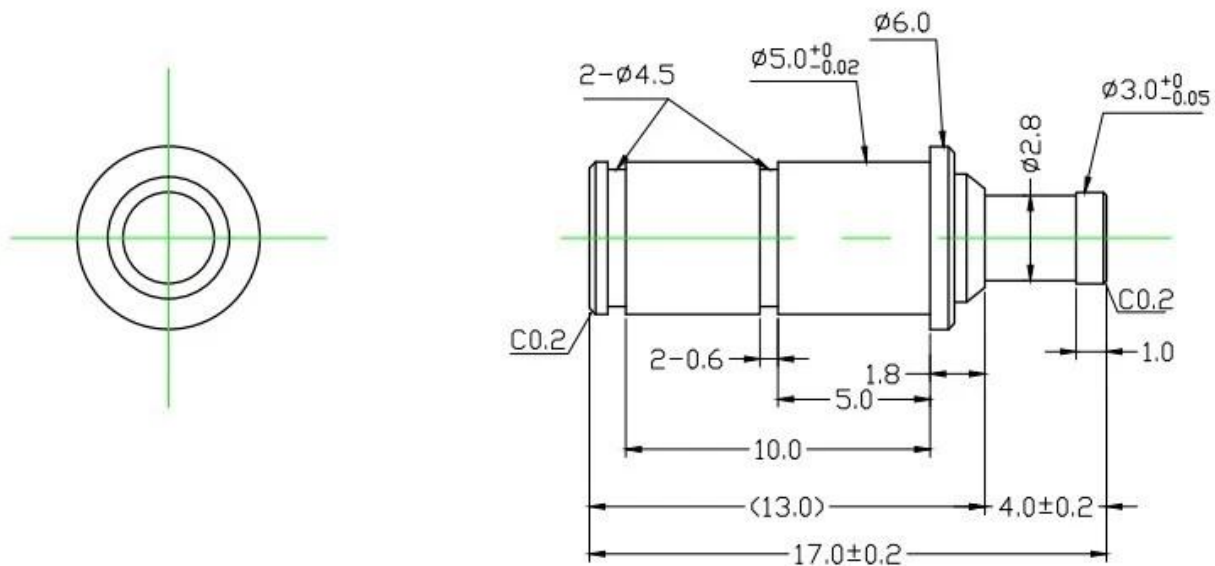
0000

00 00 0 0000 000 0 000 00, 000 000 0000 00 0 00 0000 00 0 0 0000 0000 0 00 0 0000 000 0 00 0000 00 00 0 0 0000

0000

0000	SF5933
000	3.000
0000	2.000
000	100±20gf@ 00 2.0mm
000	200PCS
00	000000
00	00
0000	5-10 0 00 000

00 00



00 00



1. raw material warehouse



2. Lathe workshop



3. Assemble workshop



4. Quality inspection



5. Finished products



6. Packing



Measuring Equipment >



Measuring Equipment:

1. Agilent current testing;
2. Quadratic element measurement
3. Load Curve Meter
4. Bond Test
5. Life Fatigue Test





□□□ □□

- 1. □□ □□ □□□□□□ PCB □ ICT □ FCT □ □□
 - 2. Pogo pin □□□□□□ □□□□□□□ □ □□ □□□□□□□□□□ □□
 - 3. □□ “BGA” □ “□□” □□□□□□□
 - 4. □□□□□□□□□ □□ LM □□ QZ □ VZ □□□
 - 5. □□□□□□□□□□□□□□
 - 6. □□ & □□ / □□□
 - 7. □□□□□□□□□□ □□ POM □□
-

□□□ □□

- 1. □□□□ “24” □□□□□□ “□□” □□□
- 2. □□□□ “□□” □ “OEM” □
- 3. □□□□□ □□ □ □□ □ □□□ □ □□□ □□□□ □□ □□
- 4. □□□□□ □□ □□□ □□ □□□ □□ □□□ □□□