

□□□□

□□	SFENG
□□	SFM365 105 400 A8001
□□	□□□□□□□□□□
□□	□□□□□□□□
□□	SK4□□□□
□□□□□	100□
□□□□	7 □□□□□□□□

□□□□

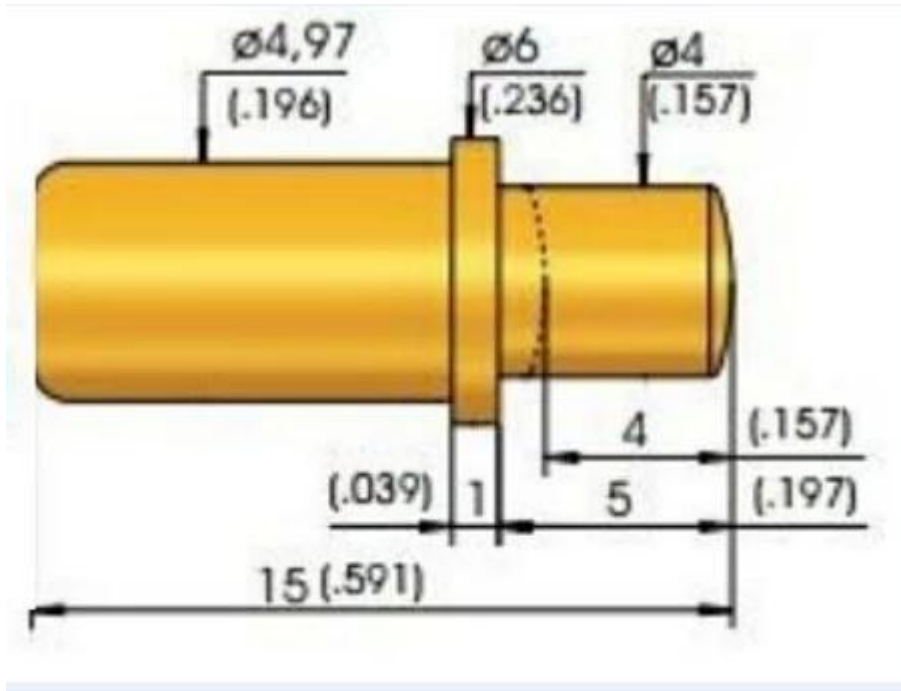
**SFENG**  
The China's The World's

RoHS

QUALITY ASSURED FIRM  
ISO 9001  
SGS

CE

[chinapogopinsupplier.com](http://chinapogopinsupplier.com)



1. 24

2. OEM

3.

4.

-- PCB, ICT, FCT

-- pogo pin

-- BGA &

-- LM ;

-- ...

-- ; / ;

-- O 30 OKwire POM

Spring exhausted tester	DC power supply	Current resistance tester
		
Microscope	Tensile strength tester	Spring tester
		

□□□□

