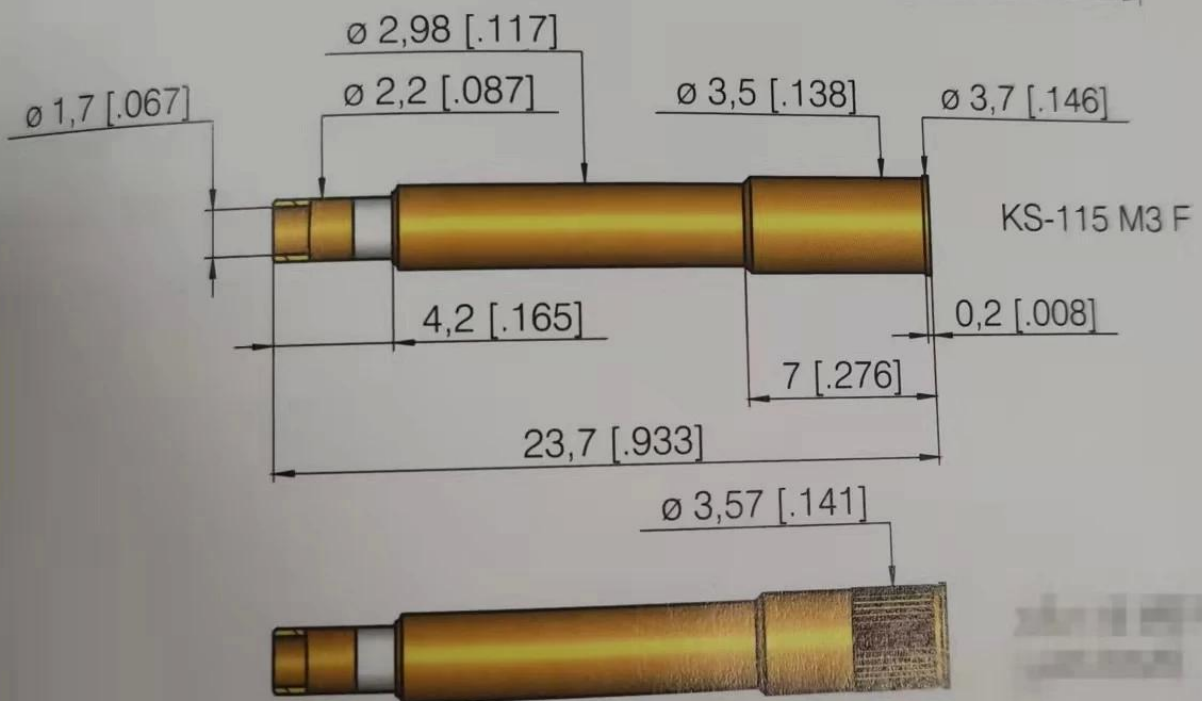
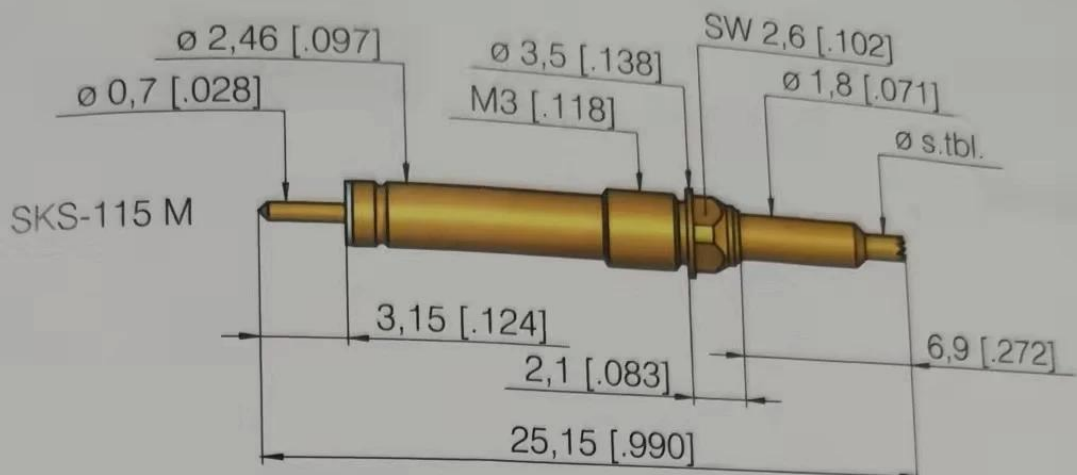


□□□□

□□□□	SF6028
□□	□□3.5*□25.15mm
□□	□□□Becu□ □□ □□□□□□□□ □□□□□□□□ □□□□□□□□“gole”
□□□□	1.7±0.2□□
□□□	5.0□□
□□ □□	4.0□□
□□□□	3A
□□□□	-40~80°C
□□□	100PCS
□□	□□
□□□□	5-15 □ □□ □□□

□□ □□



□ □ □



1. raw material warehouse



2. Lathe workshop



3. Assemble workshop



4. Quality inspection



5. Finished products



6. Packing



Measuring Equipment >



Measuring Equipment:

1. Agilent current testing;
2. Quadratic element measurement
3. Load Curve Meter
4. Bond Test
5. Life Fatigue Test

