

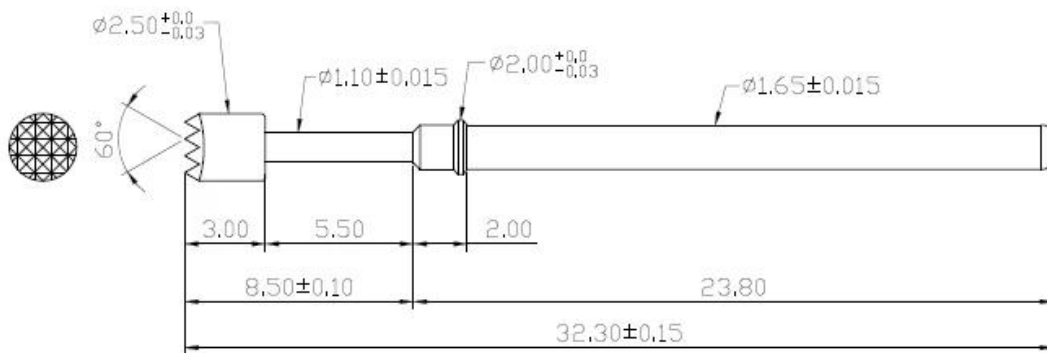
□□□□

□	ENG
□□	SF-PA1.65X32.3-H2.5
□□	□□
□□	□□
□□	SUS
□□	150□
□□□□	4.0□□
□	□□
□□□□	50□□
□□	/
□□□□	/
□□□	1000
□□□□	□□□□□15□

□□□□□



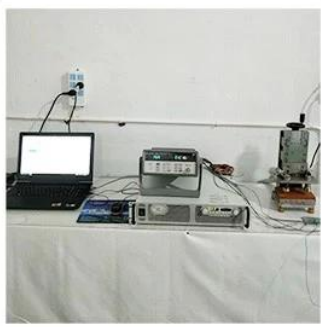
□□□□



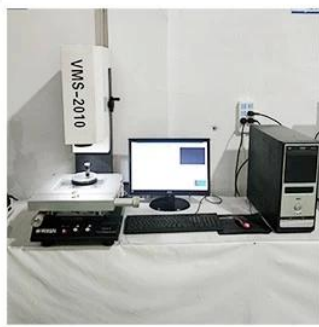
□□□□

1.□□□□





1. Agilent current testing



2. Quadratic element



3. Load Curve Meter



4. Bond Test



5. Life Fatigue Test



6. Microscope



Standard products will be delivered out within 3 days. Customized products will be sent out within 15 days.

