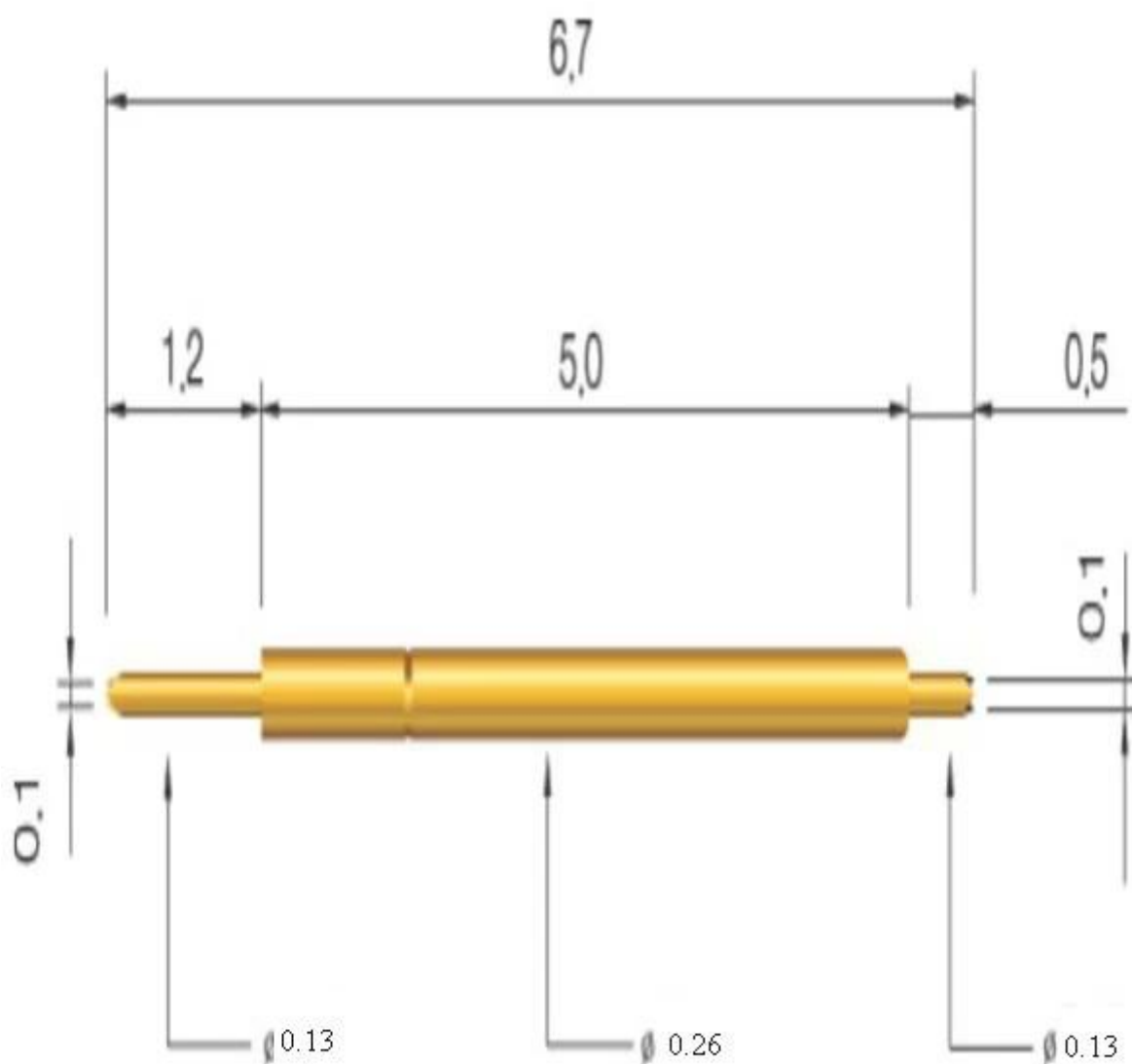


□□□□

□□	SFENG
□□□□	670-026
□□	□□□□□□□□□□
□	□□□□□□□
□□□	SK4□□□□
□□□□□	100□
□□□□	7 □□□□□□□□

□□□□



□□□□

1. □24□□□□□□□□□□□□□□
2. □□□□□□□□□□OEM

3. 00000000000000000000

4. 00000000000000000000

0000

-- PCB,ICT,FCT

-- 00000000000000000000 pogo pin

-- BGA&0000000000;

-- 000000000000 LM ;

-- 000000000000...

-- :/;

-- O 0000 00000030 OKwire 0000 POM

0000

Spring exhausted tester



DC power supply



Current resistance tester



Microscope



Tensile strength tester



Spring tester



