



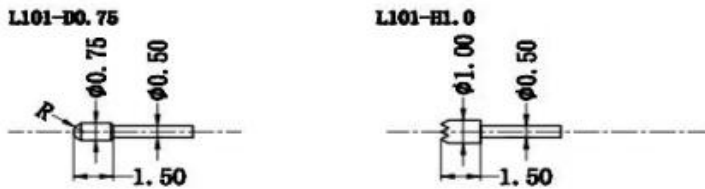
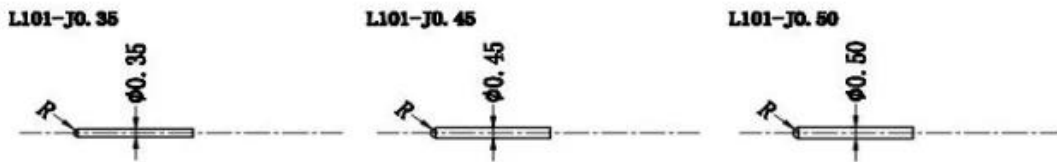
SFENG 1984 100 7



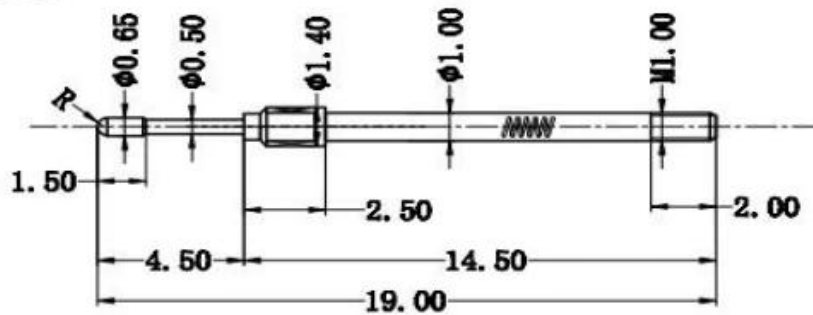
□□	SF-L101
□□□	100□
□□□□	□□□□□7□□□□



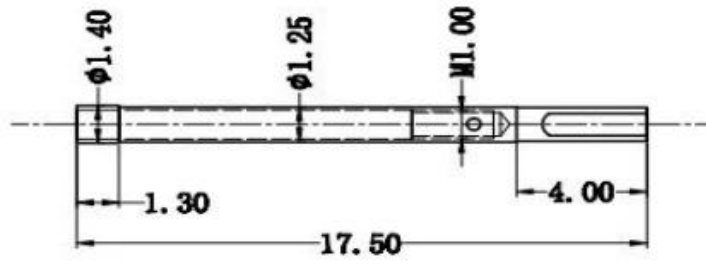
1. Screw Pin SF-L101-J0.5 & Receptacle L101



L101-D0.65



L101-套管



1. 24
2. OEM
- 3.
- 4.



1. PCB ICT FCT
2. Pogo pin
3. BGA
4. QZ VZ LM
- 5.
6. /
7. 30# OK POM





1. Raw material warehouse



2. Lathe workshop



3. Assemble workshop



4. Quality inspection



5. Finished products



6. Packing



1. Agilent current testing



2. Quadratic element



3. Load Curve Meter



4. Bond Test



5. Life Fatigue Test



6. Microscope



A5: [Placeholder]

Q6. [Placeholder]

A6: [Placeholder]

Q7. [Placeholder] **OEM** [Placeholder] **ODM** [Placeholder]

A7: [Placeholder] OEM/ODM [Placeholder]

Q8. [Placeholder]

A8: [Placeholder]