

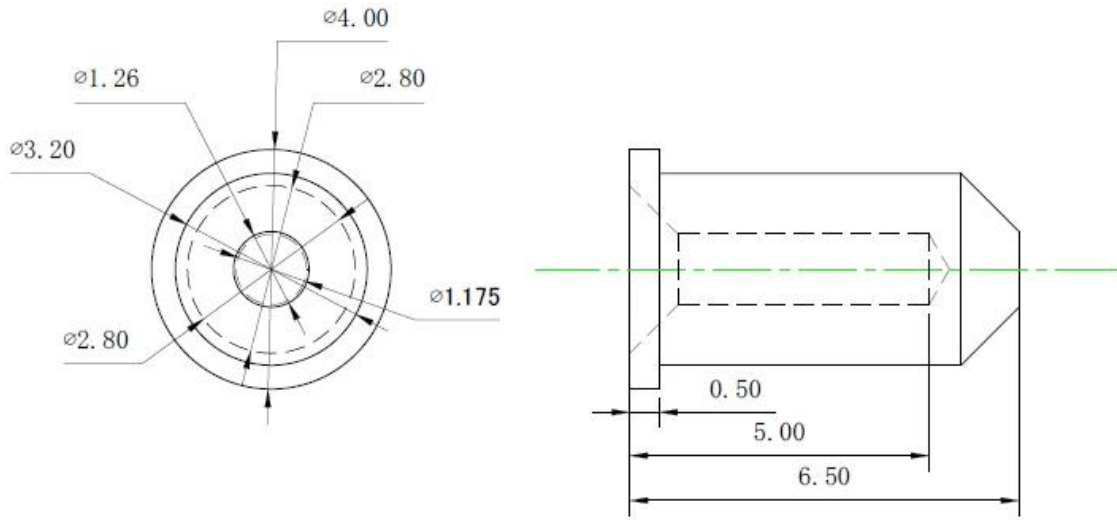
□□□□

□□	□□
□□	SF-Pin3.2X6.5
□□	/
□□	□□
□□	□□
□□	/
□□□□	/
□□□□	□□
□□□□	/
□□	/
□□□□	/
□□□	5000
□□□□	□□□□□15□

□□□□□



□□□□



□□□□

1.□□□□

2.□□□□

3.□□□□□□□□

4.□□□□□□□□

□□□□

PCB□ICT□FCT□□□□□□□□□□

□□□

BGA□□□□□□□□□□

□□□□□□□□□□LM□QZ□VZ□□□

□□□□□□□□□□□□□□

□□□□□□□□□□□□

□□□□□□□□□□30□OK□□□□□□□□□□POM□□□□□□

□□□□



1. Raw material warehouse



2. Lathe workshop



3. Assemble workshop



4. Quality inspection



5. Finished products

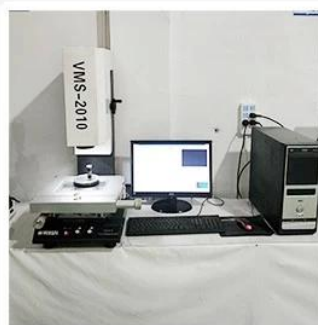


6. Packing

□□□□



1. Agilent current testing



2. Quadratic element



3. Load Curve Meter



4. Bond Test



5. Life Fatigue Test



6. Microscope

□□□□□

Standard products will be delivered out within 3 days. Customized products will be sent out within 15 days.

