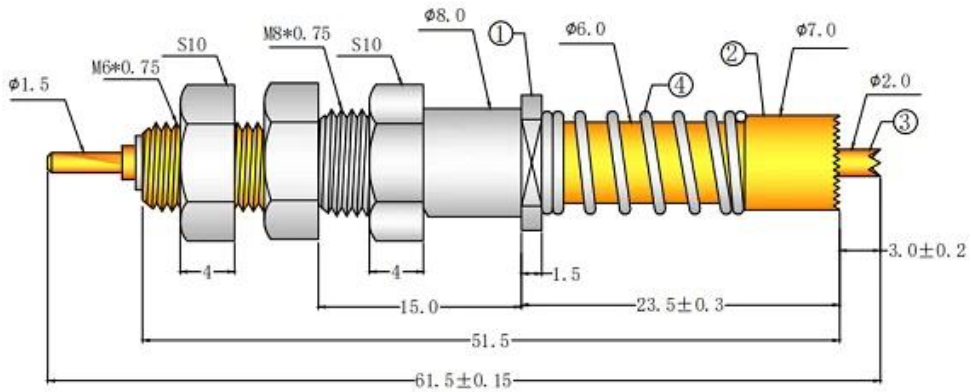
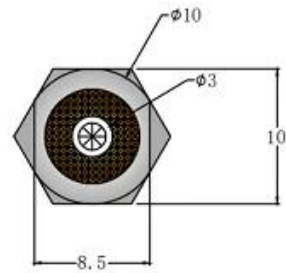


□□□□

SFENG 1984 ( )

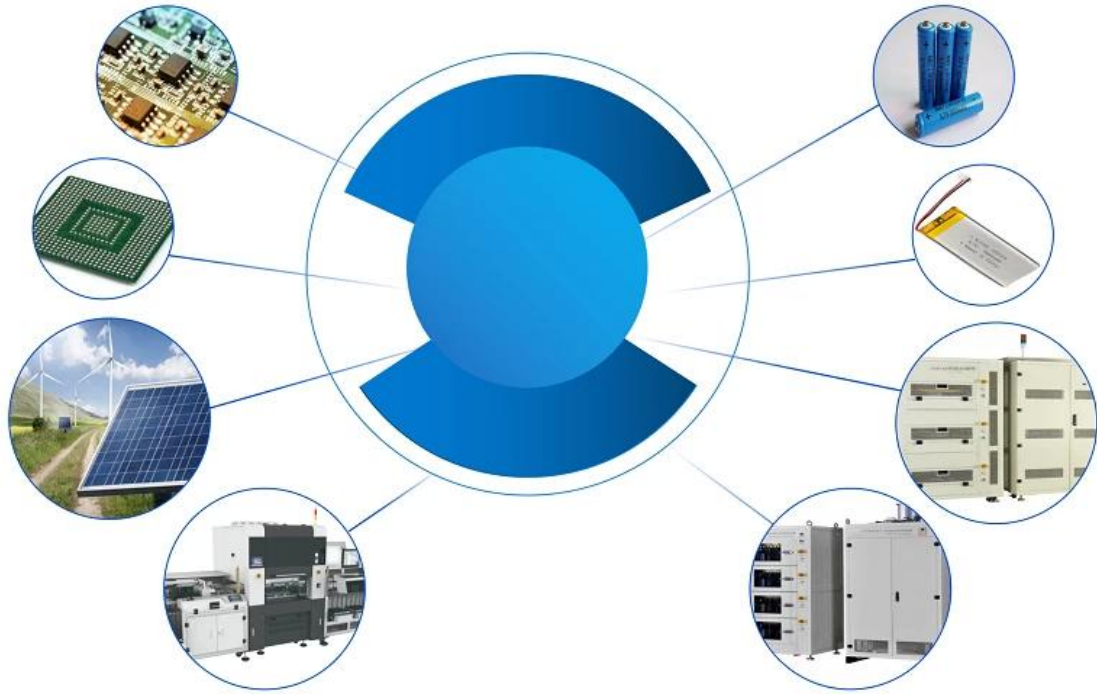
□□□□



□□□□

□□□□	□□□□
□□□□	SF-□V1-H-H M8*26□5
□□	□□











2023 ISO Certificate



Patent for Coaxial Structure



Patent for Honeycomb current probe







□□□□□





CIBF2021

苏州胜亿福睿电子科技有限公司  
Suzhou Shengyifurui Electronic Technology Co., Ltd

No.3B013

