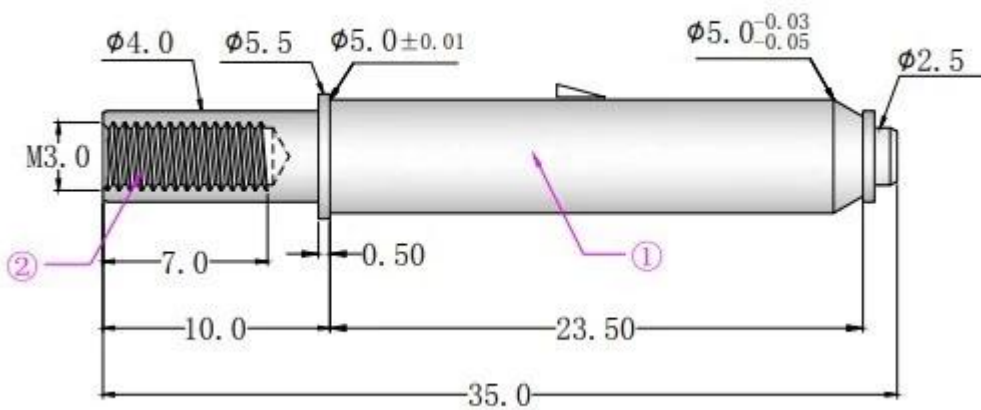


□□□□

□□□□	SF0305
□□	□□5.5*□□35.0mm
□□	□□□□ □□□□ □□SUS304
□□□	9.5□□
□□□	1000gf@ 1□□ 9.5mm
□□□	300PCS
□□	□□
□□□□	5-15 □ □ □□

□□ □□





## Production Flow (生产流程)

**SFENG**  
The China's The World's



**1. raw material warehouse**



**2. Lathe workshop**



**3. Assemble workshop**



**4. Quality inspection**



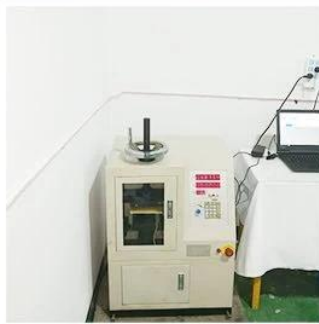
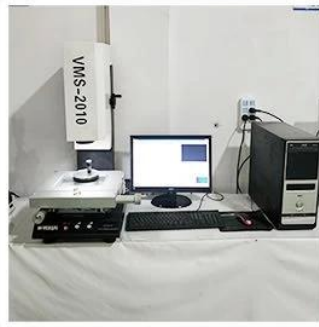
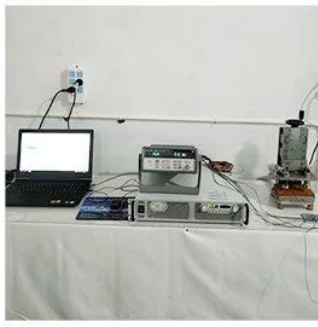
**5. Finished products**



**6. Packing**



## Measuring Equipment >



### Measuring Equipment:

1. Agilent current testing;
2. Quadratic element measurement
3. Load Curve Meter
4. Bond Test
5. Life Fatigue Test



