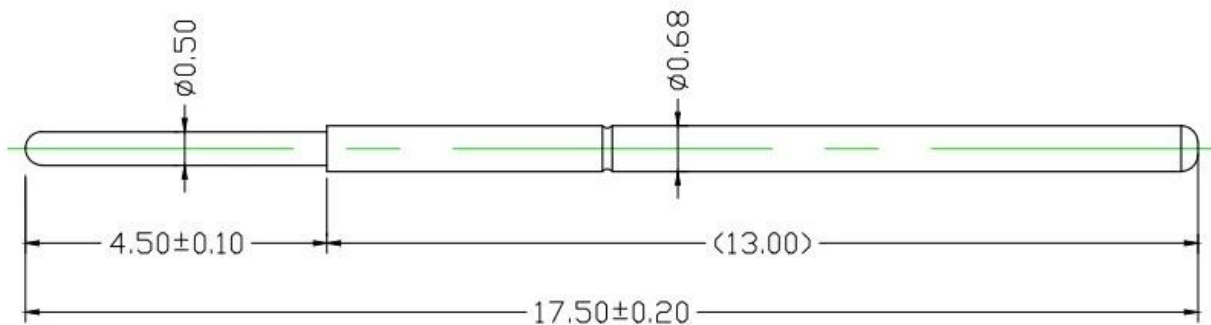


□□□□

□□□□	SF-P11-J
□□□	3.5□□
□□□□	3.0□□
□□□	75±20%gf@1□□ 3.0mm
□□□	1000PCS
□□□□	100% T/T □□□
□□□□	5-10 □ □□ □□□

□□ □□



□□ □□



1. raw material warehouse



2. Lathe workshop



3. Assemble workshop



4. Quality inspection



5. Finished products



6. Packing



Measuring Equipment >



Measuring Equipment:

1. Agilent current testing;
2. Quadratic element measurement
3. Load Curve Meter
4. Bond Test
5. Life Fatigue Test





Quality Management System Certificate of Approval

This is to certify that the QMS of

Suzhou Shengyifurui Electronic Technology Co.,Ltd

Unified Social Credit Code:91320506MA1NRNLF6N

Registration Address:Room 5277 Tianlong Building, No.378 Zhujiang Nan Road, Mudu Town,
Wuzhong District, Suzhou City

Business Address:Room 103 Units 2 Building 4, Xiangtihuayuan, No.567 Binhe Road, SND, Suzhou City

Has been assessed and found to meet the requirements of

GB/T 19001-2016/ISO 9001:2015

This certificate is valid for the following scope of operations:

Sales of test probes and related accessories

Date of Certificate Issue: Dec, 06, 2018

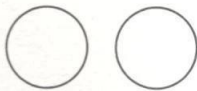
Certificate Valid Until: Dec, 05, 2021

Certificate Number: **QM291812020**

The validity of the registration will be continued only when the organisation pass the annual surveillance audit.

Check the validity of certificate at www.cnca.gov.cn or www.das-china.com

Surveillance Audits:



Authorized by:

Chief Executive



Shanghai DAS Certification Co., Ltd. , member of SN Registrars(Holdings) Ltd.

Add:505, Tower. 2, Guoson Center, No. 388, Zhongjiang Road, Shanghai, P.R.China, 200062

Tel: 0086-21-62773910 Fax:0086-21-62080319

Web:<http://www.das-china.com>

Email: info@das-china.com

UK Head Office: **DAS Certification Limited (On Behalf of SN Registrars (Holdings) Limited)**

ADD: Registration House, 22b Church Street, Rushden,

Northamptonshire, NN10 9YT, UK

Tel: +44(0)1933 381859

Email: info@dascertification.co.uk

Web: www.dascertification.co.uk

Company Number: 07659067



1. PCB ICT FCT
2. Pogo pin
3. BGA
4. LM QZ VZ
- 5.
6. &
7. POM

1. 24
2. OEM
- 3.
- 4.