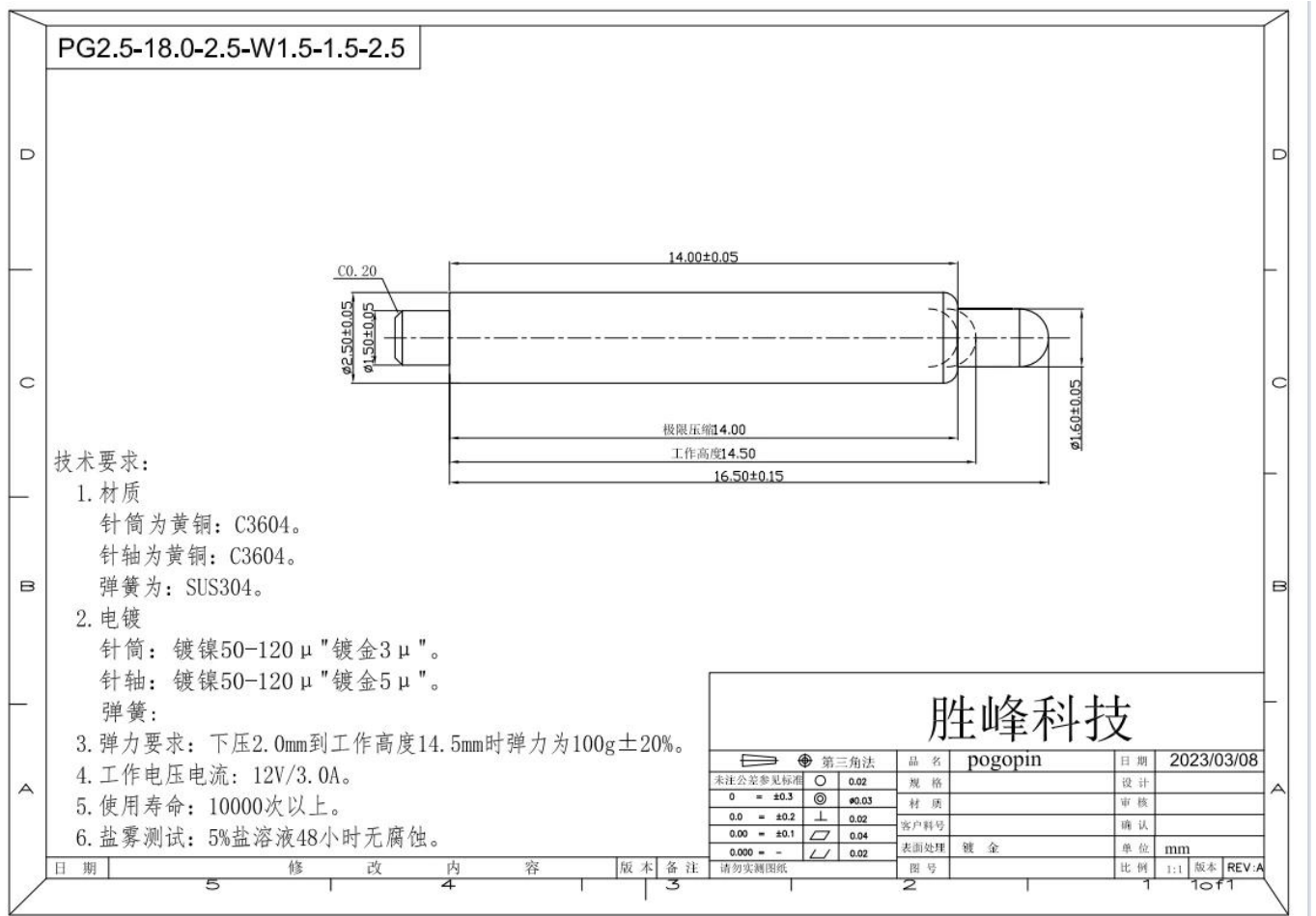




SFENG 1984年12月16日注册，SFENG为注册商标，SFENG SFENG为注册商标，SFENG SFENG为注册商标



品名	SF-Pogo Pin [DIP]
材料	SUS304
数量	100
备注	70000



1. 24
2. OEM

3. □□□□□□□□□□□□□□□□□□

4. □□□□□□□□□□□□□□□□□□



1. □□□□□□□□PCB□ICT□FCT□□□□

2. Pogo pin □□□□□□□□□□□□□□□□□□□□□□□□□□□□□□□□

3. □□BGA□□□□□□□□□□□□

4. □□□□□□□□□□□□□□□□LM□□

5. □□□□□□□□□□□□□□□□

6. □□□□□/□□□□

7. □□□□□□□□□□30#OK□□□□□□□□POM□□□□□□

□□□□□□□□□□□□□□□□□□□□□□□□□□□□□□□□



1. Raw material warehouse



2. Lathe workshop



3. Assemble workshop



4. Quality inspection

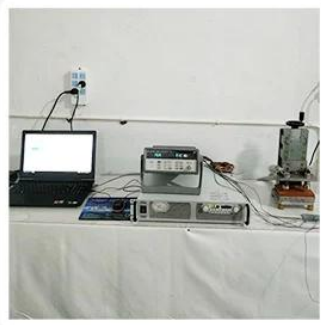


5. Finished products

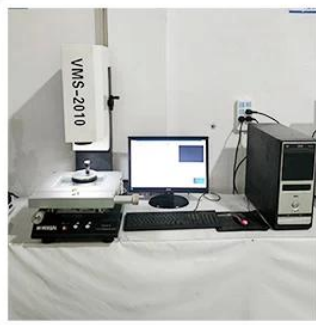


6. Packing

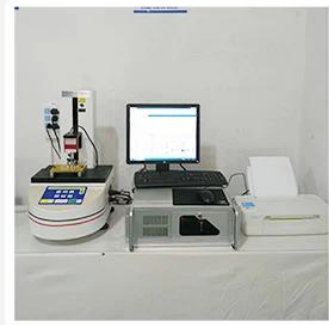




1. Agilent current testing



2. Quadratic element



3. Load Curve Meter



4. Bond Test



5. Life Fatigue Test



6. Microscope



2023 ISO Certificate



Patent for Coaxial Structure



Patent for Honeycomb current probe



□□□□ DHL □ UPS □ FedEx □ TNT □ EMS □ □ □

□□□□□□□□□□□□□□□□□□□□□□□□ Exwork □ FOB □ CNF □ CIF □ □ □ □ □ □ □ □



Q1. 〇〇〇〇〇〇〇〇

A1: 〇〇〇〇〇〇〇〇〇〇〇〇〇〇〇〇〇〇〇〇〇〇〇〇〇〇〇〇〇〇〇〇〇〇〇〇

Q2. 〇〇〇〇〇〇〇〇

A2: 〇〇〇〇〇〇〇〇 QC 〇〇〇〇〇〇〇〇〇〇〇〇〇〇〇〇〇〇〇〇〇〇〇〇〇〇〇〇〇〇〇〇〇〇

Q3. 〇〇〇〇〇〇

A3: 〇〇〇〇〇〇〇〇〇〇〇〇〇〇〇〇〇〇〇〇〇〇〇〇〇〇〇〇

Q4. 〇〇〇〇〇〇

A4: 〇〇〇〇〇〇〇〇〇〇〇〇〇〇〇〇〇〇〇〇〇〇〇〇〇〇〇〇〇〇〇〇〇〇

Q5. 〇〇〇〇〇〇〇〇〇〇〇〇

A5: [Placeholder]

Q6. [Placeholder]

A6: [Placeholder]

Q7. [Placeholder] **OEM** [Placeholder] **ODM** [Placeholder]

A7: [Placeholder] OEM/ODM [Placeholder]

Q8. [Placeholder]

A8: [Placeholder]