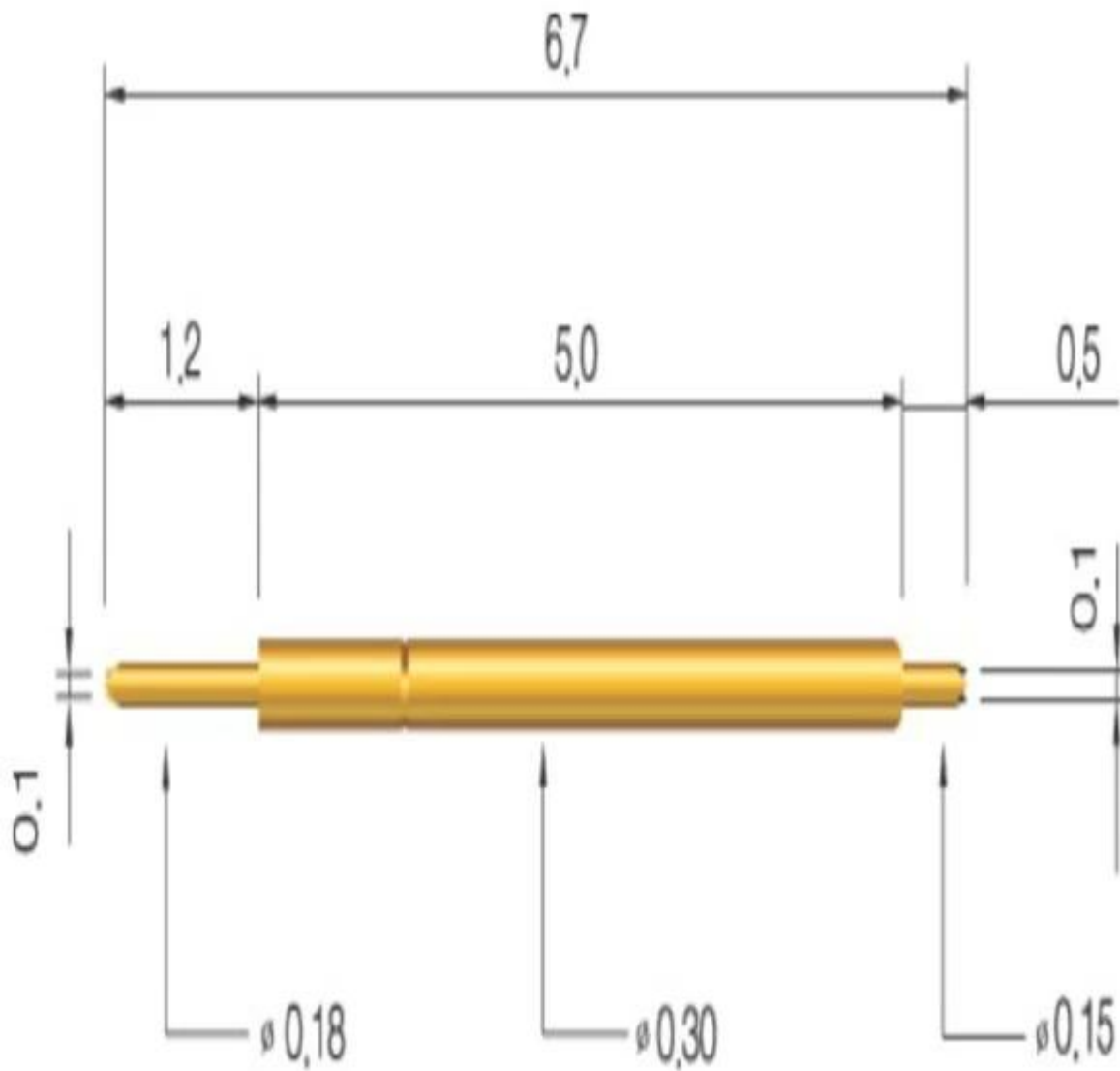


□□□□

□□	SFENG
□□	□□□□ ϕ 0.3* 6.7
□□	SK4□□□□
□□	□□
□□	SK4□□□□
□□	20□
□□	1A
□□	□□50mohm
□□□□□□	2.75□□
MOQ	100 □
□□□□	7 □□□□□□□□

□□□□



□□□□

- 1.Reply □□□□withn 24□□□□
- 2.Customized □□□□□□OEM□□
- 3.Delivery □□□□□□□□□□□□□□□□
- 4.□□□□□□□□□□□□□□□□

□□□□

- PCB□ICT□FCT□□□□;
- usuallytemporary□□□□
- ;
- interconnectApplications;
- probef orBGA□□□□□; semiconudtion□□;
- coatingpin□LM□withQZ□□□□□; VZseries;
- ...
- ;□□/□□;
- 30□OKwire□□□□□□□□POM□Ironhinge□

□□□□

Spring exhausted tester	DC power supply	Current resistance tester
		
Microscope	Tensile strength tester	Spring tester
		

□□□□

