

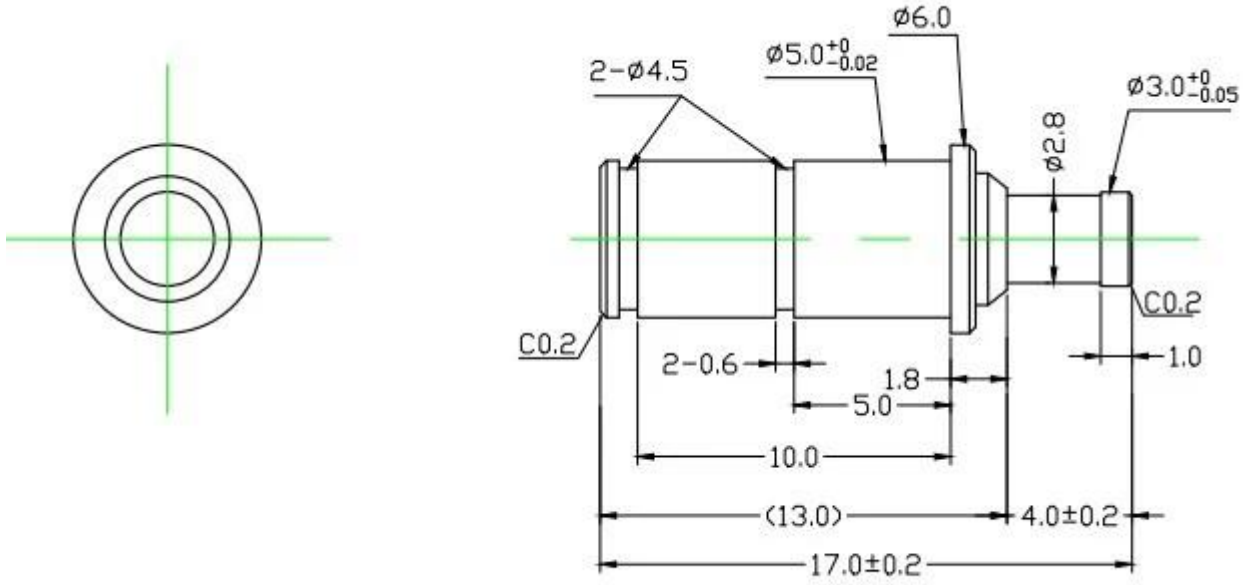
0000

00 00 0 0000 000 0 000 00, 000 000 0000 00 0 00 0000 00 0 0 0000 0000 0 00 0 0000 000 0 00 0000 00 00 0 0 0000

0000

|      |                   |
|------|-------------------|
| 0000 | SF5977            |
| 000  | 3.000             |
| 0000 | 2.000             |
| 000  | 80±10gf@ 00 2.0mm |
| 000  | 200PCS            |
| 00   | 000000            |
| 00   | 00                |
| 0000 | 5-10 0 00 000     |

00 00



00 00



1. raw material warehouse



2. Lathe workshop



3. Assemble workshop



4. Quality inspection



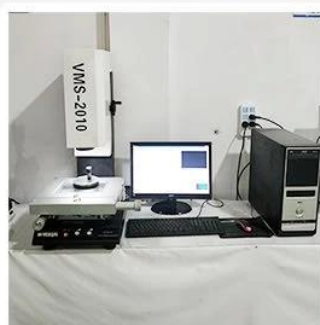
5. Finished products



6. Packing



## Measuring Equipment >



### Measuring Equipment:

1. Agilent current testing;
2. Quadratic element measurement
3. Load Curve Meter
4. Bond Test
5. Life Fatigue Test



