

## **Product Name:SF-pogo pin**

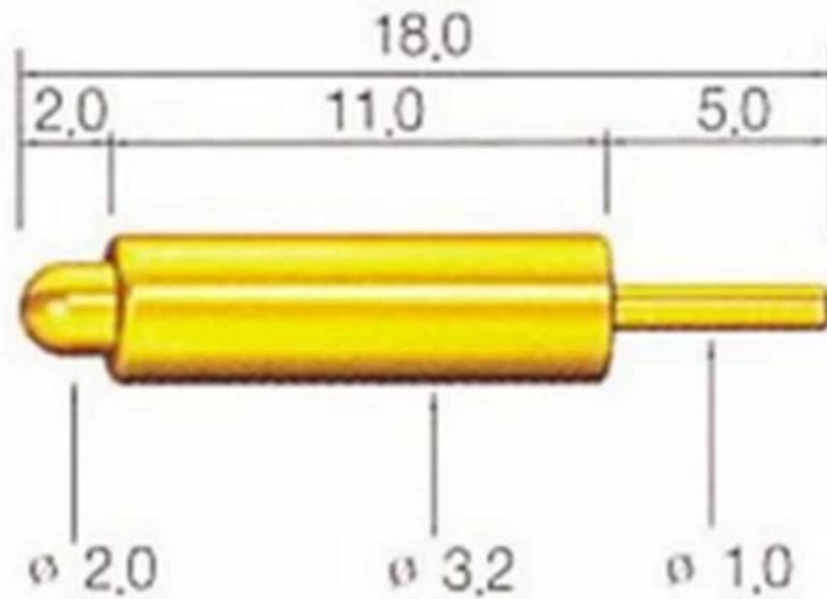
### **Material and finishes**

Plunger:Be Cu,Rh plated

Barrel:Brass,Gold plated

Spring:Stainless steel

### **Pictures**



- Any tips,we could provide for you
- If you are interested in it,pls contact me

## ShengFeng Probe

Our company established in 1984,Shengfeng Probe,the register name of Suzhou Shengteng Electronic Co.,Ltd,specializing in the

spring probe & the pogo pin & Terminal block with good quality, fast delivery and best service.

## **Our Advantages**

1. we have 30 years experience in probe pin and have ourself factory.
2. we provide free sample and have a testing department.
3. we could manufacture products as your request.
4. we guarantee best price and good service.

## **Our factory**



## **Our equipment**

Spring exhausted tester	DC power supply	Current resistance tester
		
Microscope	Tensile strength tester	Spring tester
		

**Our package**

