

□□□□

□□	SFENG
□□	SF Pogo pin
□□	□□
□□□	□□□□□ 7 □□□□□

□□□□

The image displays a technical drawing of a yellow Pogo pin. The drawing includes the following dimensions: a total length of 15.4, a distance of 5.5 from the tip to the start of the central section, and a distance of 9.9 from the start of the central section to the end. The diameters are specified as $\phi 2.0$ for the tip, $\phi 4.0$ for the central section, and $\phi 2.5$ for the base. The drawing is set against a blue background with the SFENG logo and tagline 'The China's The World's' at the top left. To the right of the logo are three certification logos: RoHS (Restriction of Hazardous Substances), ISO 9001 (Quality Assurance) with SGS, and CE (Conformity with European standards).

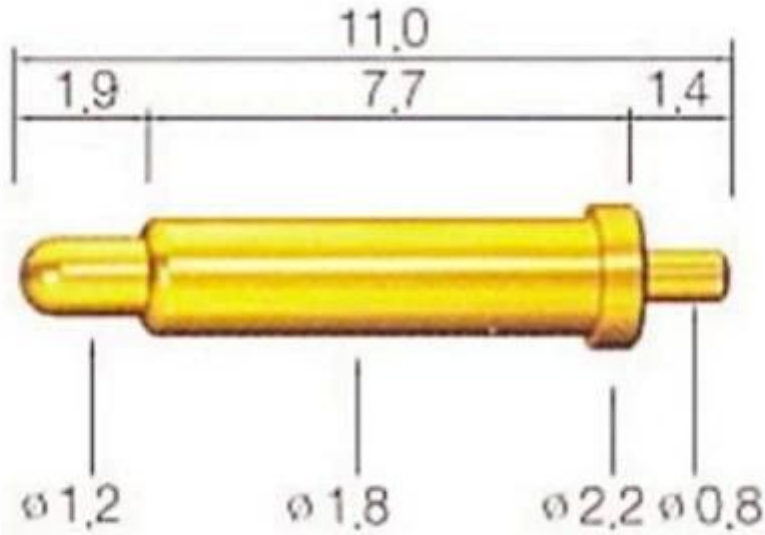
SFENG
The China's The World's

RoHS ISO 9001 SGS CE

15.4
5.5 9.9

$\phi 2.0$ $\phi 4.0$ $\phi 2.5$

WWW.SF-PROBE.COM



WWW.SF-PROBE.COM

□□□□

1. □□□□□□ □□ 24 □□□□
2. □□□ □□□□□□□□ OEM□
3. □□□□□□ □□□□□□□□□□□□□□□□
4. □□□□□□ □□□□□□□□□□□□□□□□

□□□□

