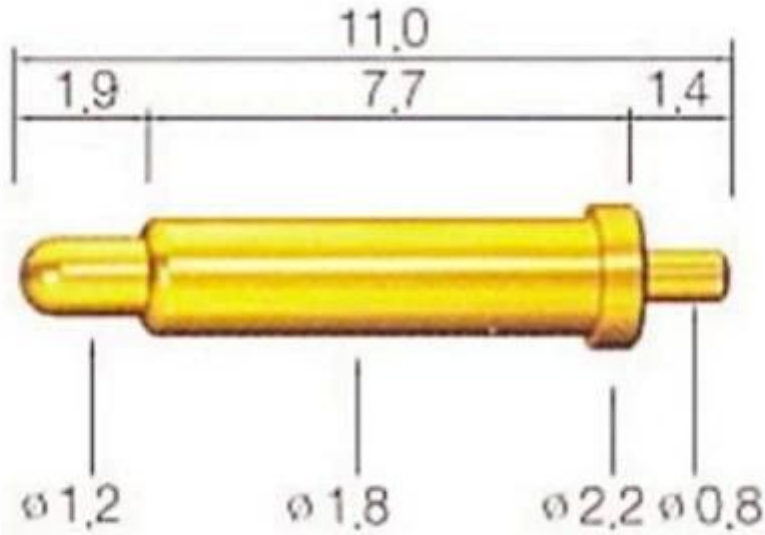


□□□□

□□	SFENG
□□	SF Pogo pin
□□	□□
□□□	□□□□□ 7 □□□□□

□□□□

The image displays a technical drawing of a yellow Pogo pin. The drawing includes the following dimensions: a total length of 15.4, a distance of 5.5 from the tip to the center of the ring, and a distance of 9.9 from the center of the ring to the end. The diameters are specified as  $\phi 2.0$  for the tip,  $\phi 4.0$  for the ring, and  $\phi 2.5$  for the main shaft. The drawing is set against a blue background with the SFENG logo and tagline 'The China's The World's' at the top left. To the right of the logo are three certification logos: RoHS (Restriction of Hazardous Substances), ISO 9001 (Quality Management System) with SGS (Société Générale de Surveillance) as the certifier, and CE (Conformité Européenne). At the bottom of the blue background, the website address [WWW.SF-PROBE.COM](http://WWW.SF-PROBE.COM) is displayed.



[WWW.SF-PROBE.COM](http://WWW.SF-PROBE.COM)

□□□□

1. □□□□□□ □□ 24 □□□□
2. □□□ □□□□□□□□ OEM□
3. □□□□□□ □□□□□□□□□□□□□□□□
4. □□□□□□ □□□□□□□□□□□□□□□□



□□□□

