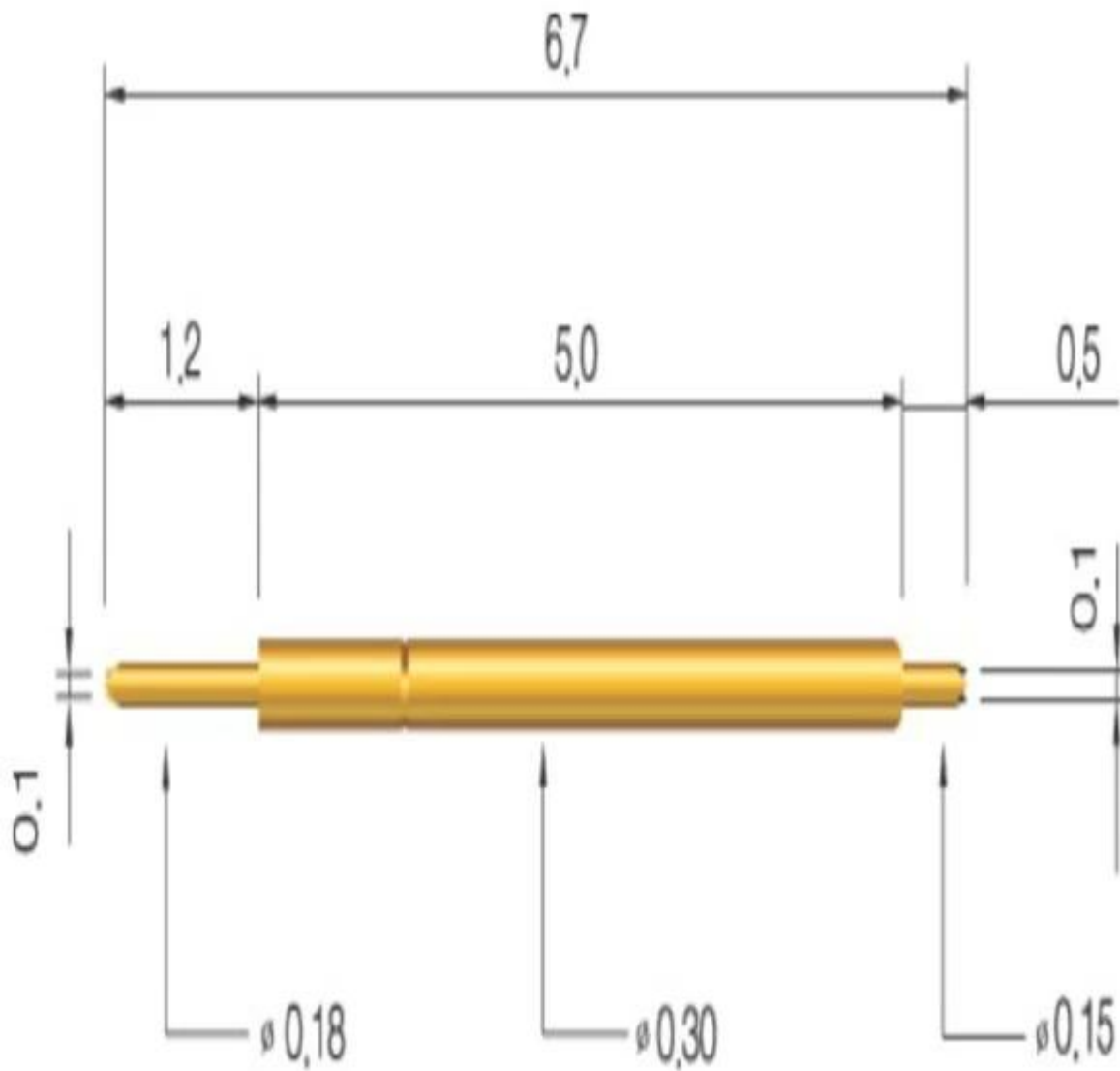


□□□□

□□	SFENG
□□	□□□□ $\phi$ 0.3* 6.7
□□	SK4□□□□
□□	□□
□□	SK4□□□□
□□	20□
□□	1A
□□	□□50mohm
□□□□□	2.75□□
MOQ	100 □
□□□□	7 □□□□□□□□

□□□□





Spring exhausted tester	DC power supply	Current resistance tester
		
Microscope	Tensile strength tester	Spring tester
		

□□□□

