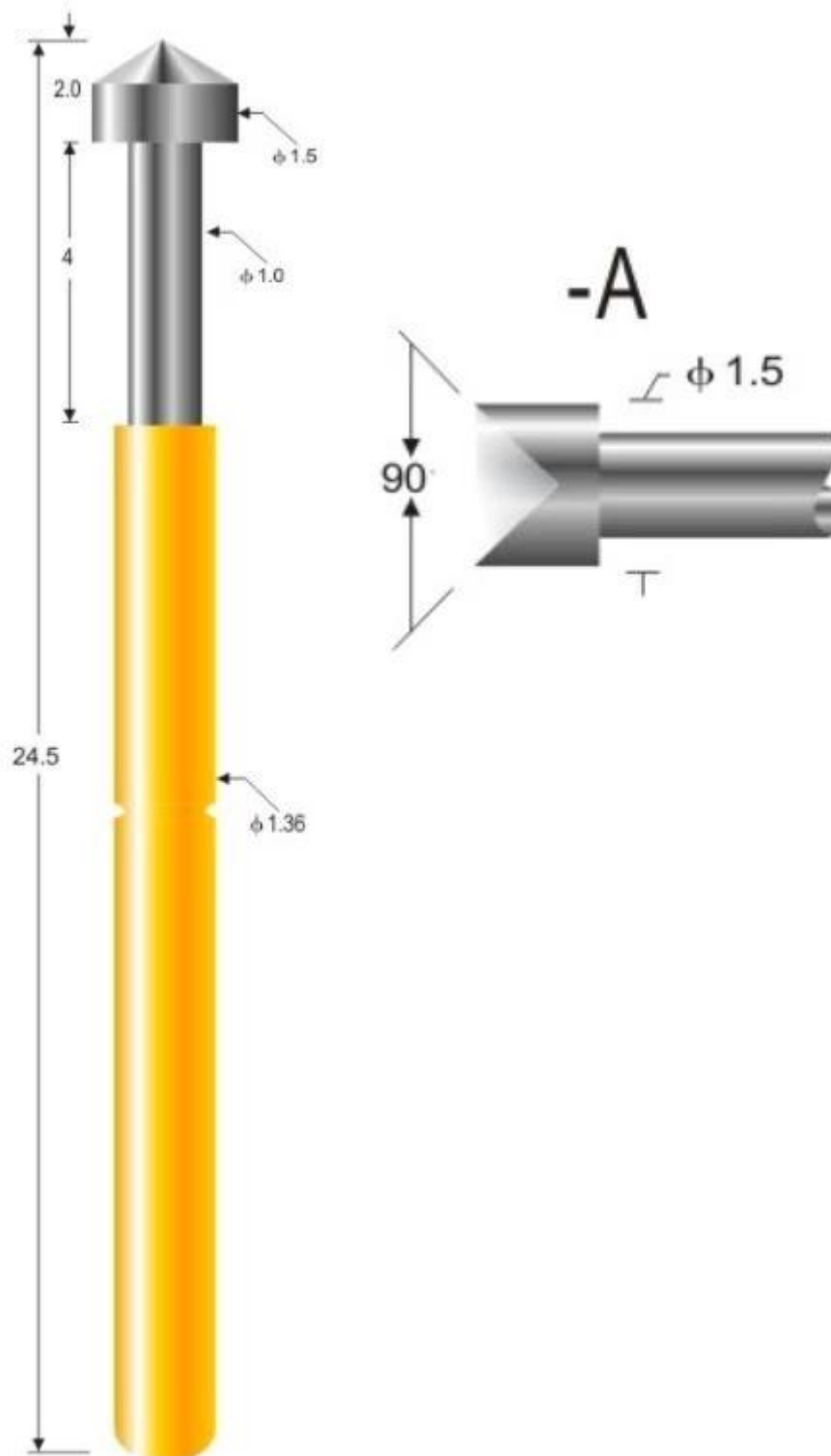


□□□□

SFENG 1984 (CB)

□□□□

ICT (QoS) VoIP



□□□□

PCB	PCB
	SF-P160-A
	3A
	200g±20%gf 30mm
	7-10

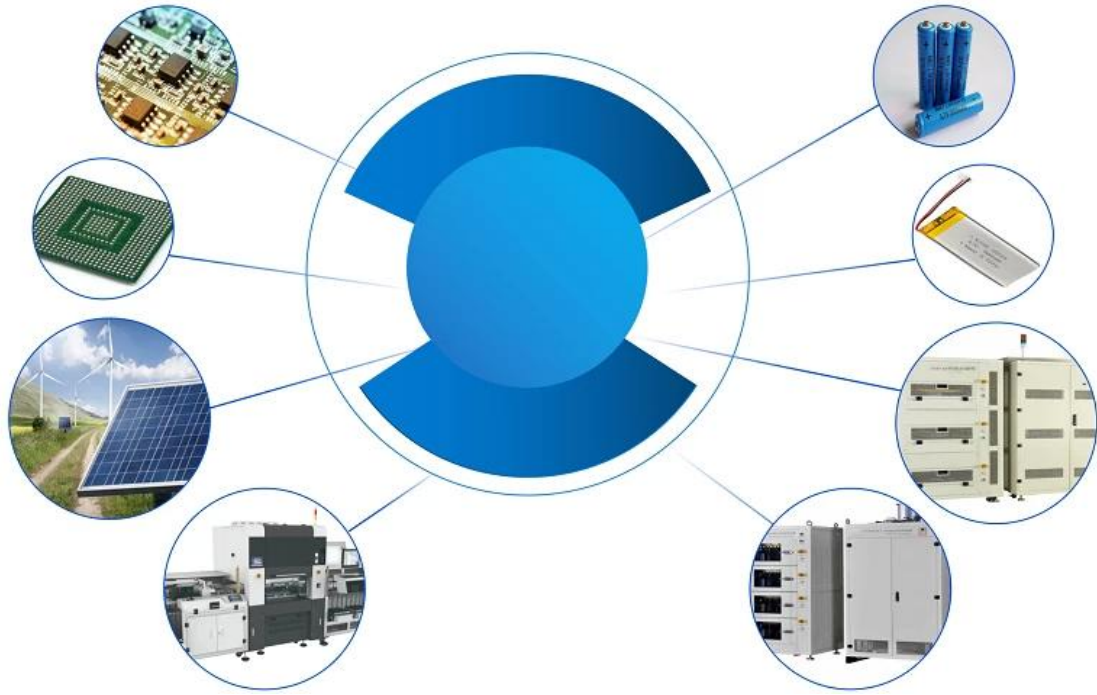
PCB

SFENG
The China's The World's



PCB

PCB





□□□□



2023 ISO Certificate



Patent for Coaxial Structure



Patent for Honeycomb current probe







□□□□□



CIBF2021

苏州胜亿福睿电子科技有限公司
Suzhou Shengyifurui Electronic Technology Co., Ltd

No.3B013

