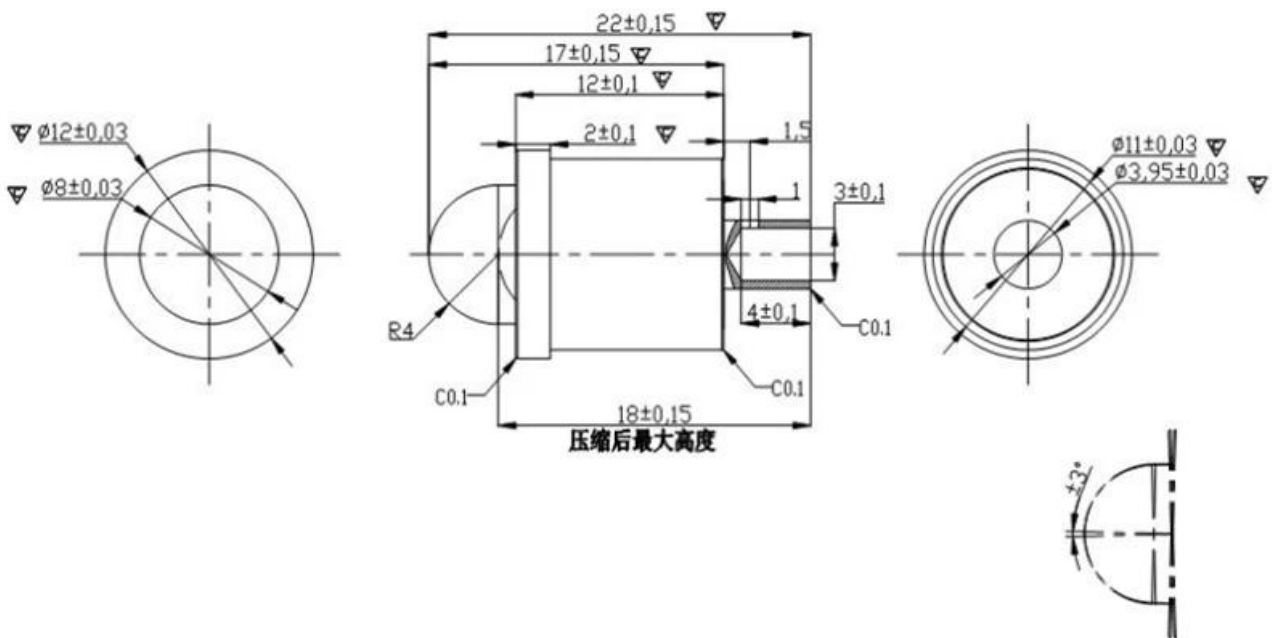


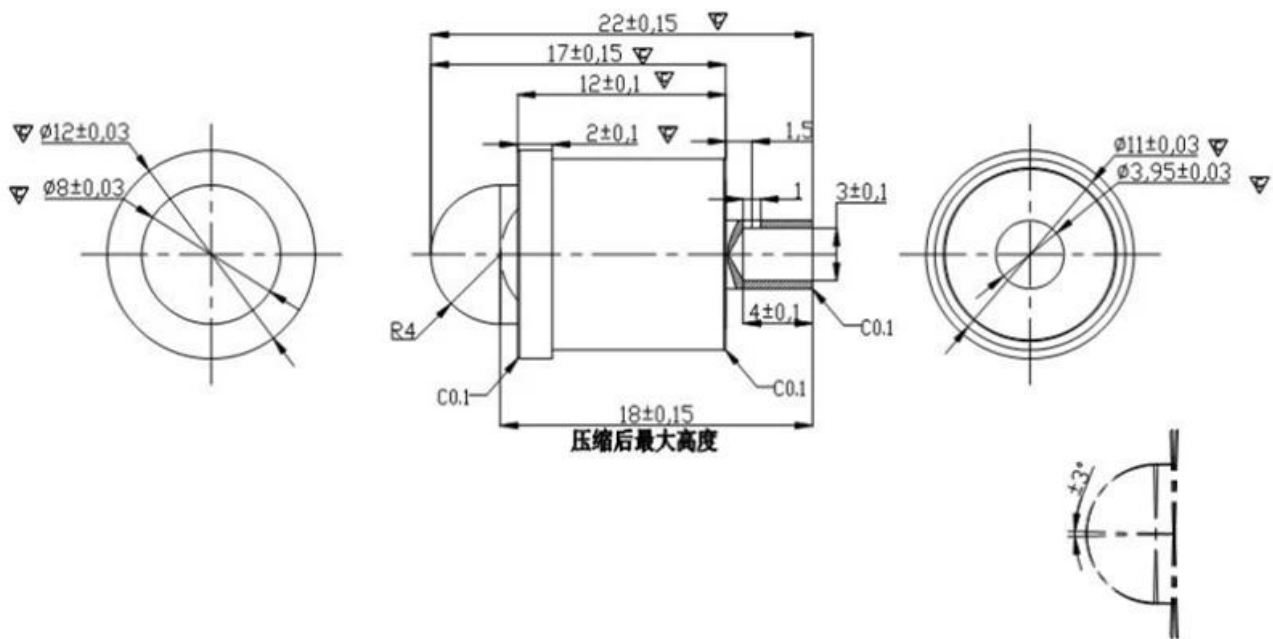
10A current rasion gold plated sring current pogo pin  
8.0\*22mm

<b>Item</b>	SF-PPA8.0*22MM
<b>Plunger</b>	Brass with gold plated
<b>Barrel</b>	Brass with gold plated
<b>Spring</b>	Stainless steel or music wire
<b>Current rasion</b>	10A
<b>MOQ</b>	100pcs
<b>Package</b>	plasic box, carton box

pogo pin drawing:



Pogo pin picture



## Factory & company



## Our Service

1. We can reply your inquiry within 24 working hours.
2. Customized design is available and OEM are welcomed.
3. We can deliver the probe pins to our clients all over the world with speed and precision.
4. We can provide the lowest price with high quality product to our client.

## Main Products

Spring loaded pin (single) for [PCB](#), [ICT](#), [FCT](#) testing etc;

Pogo pin (connector) to establish connection between two printed circuit boards for charging, locating, Battery, Semiconductor & Interconnect applications;

BGA test probe pin and Semiconductor testing;







Universal pin without spring, coating pin, LM pin with QZ and VZ series;

High current probe, Switch probe, Capacitance needle;

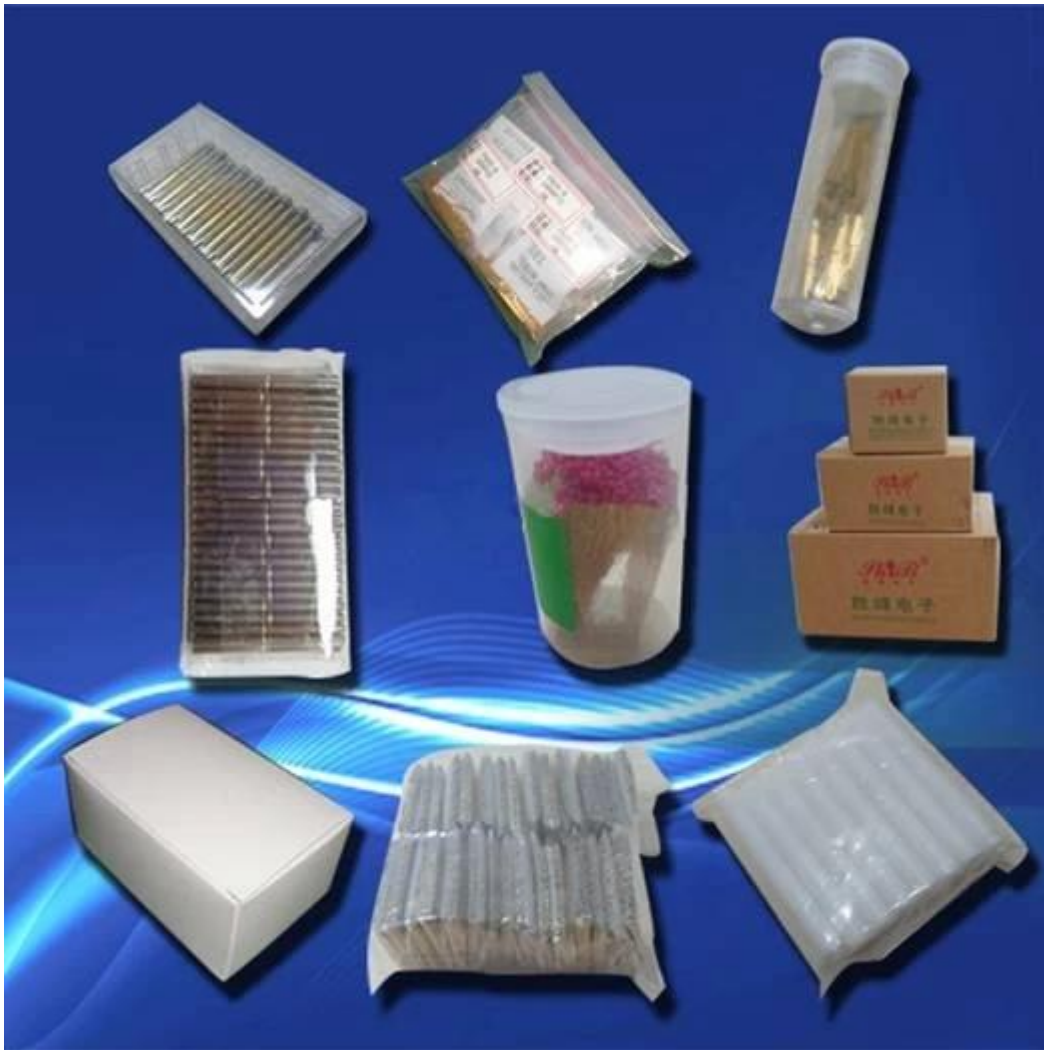
Terminal & receptacle /socket;

Other related electronic components, 30# OK wire, Jig locks, POM, Iron hinge etc

## Equipment control

Spring exhausted tester	DC power supply	Current resistance tester
		
Microscope	Tensile strength tester	Spring tester
		

## Package



Shipping

