

Product Name: SF-pogo pin

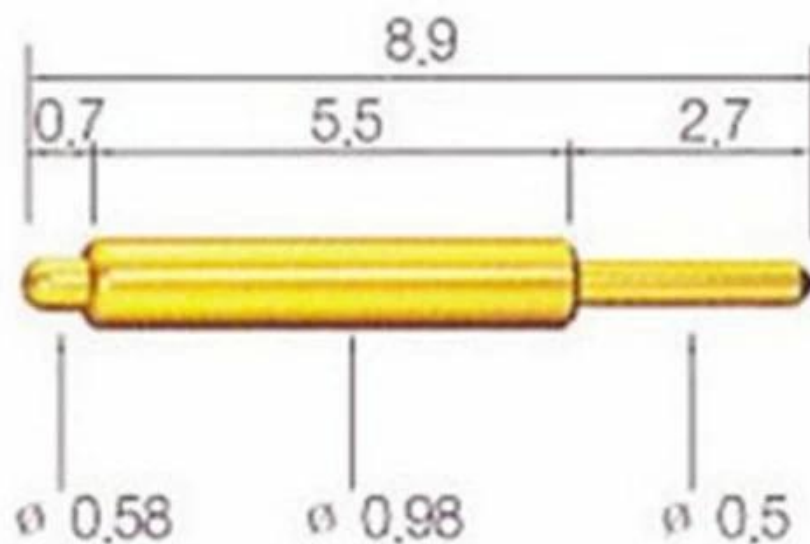
Material and finishes

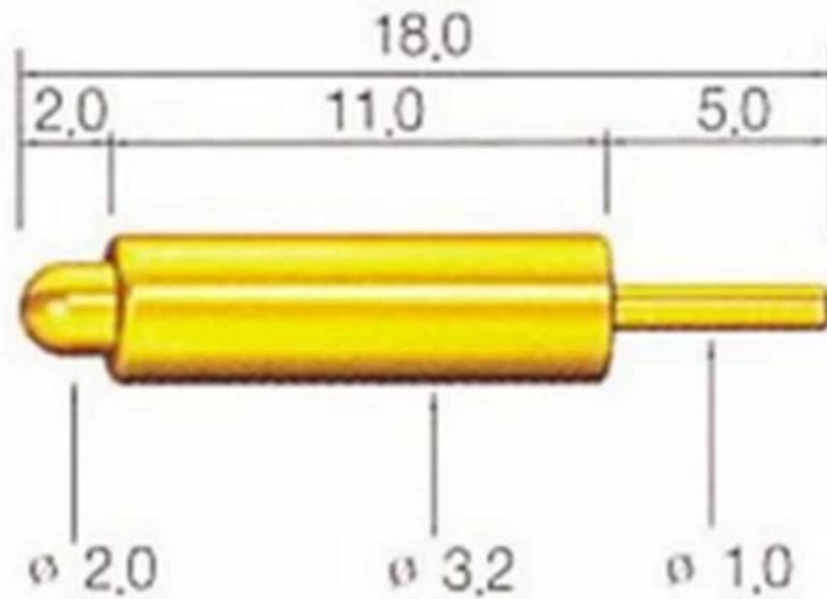
Plunger: Be Cu, Rh plated

Barrel: Brass, Gold plated

Spring: Stainless steel

Pictures





- Any tips,we could provide for you
- If you are interested in it,pls contact me

ShengFeng Probe

Our company established in 1984,Shengfeng Probe,the register name of Suzhou Shengteng Electronic Co.,Ltd,specializing in the spring probe & the pogo pin &Terminal block with good quality,fast delivery and best service.

Our Advantages

1. we have 30 years experience in probe pin and have ourself factory.

2. we provide free sample and have a testing department.

3. we could manufacture products as your request.

4. we guarantee best price and good service.

Our factory



Equipment control

Spring exhausted tester	DC power supply	Current resistance tester
		
Microscope	Tensile strength tester	Spring tester
		

Package

