

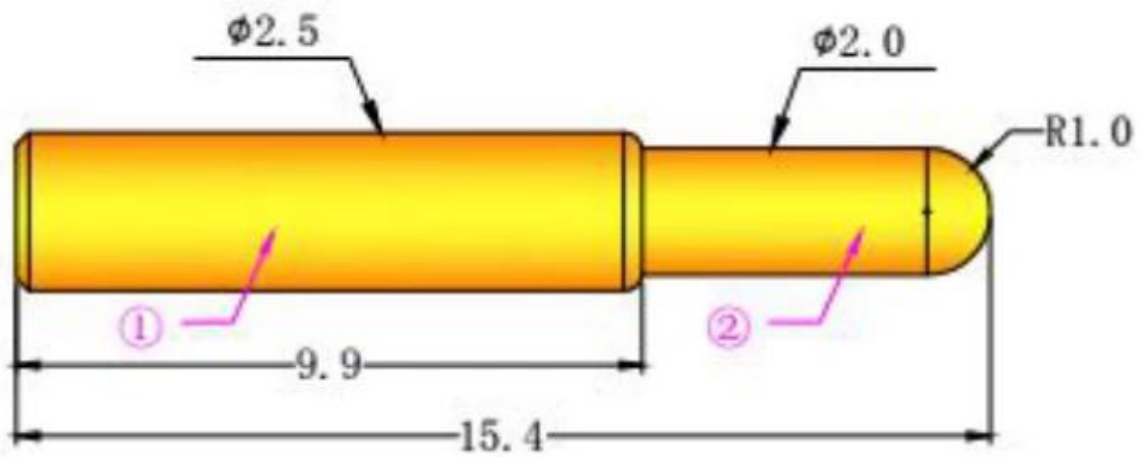
**product name:** Customized size pogo pin SF-PPA2.5\*15.4-J

Brand	SFENG brand
material	brass,Au plated,stainless steel
package	100pcs in a polybag or as your request
shipping	FEDEX,DHL,UPL,TNT
payment	T/T,paypal
tip	can be customized

**pogo pin picture:**



## Pogo pin drawing:



## Our company



## ShengFeng Probe

Our company established in 1984, Shengfeng Probe, the

**register name of Suzhou Shengteng Electronic Co.,Ltd,specializing in the spring probe & the pogo pin &Terminal block with good quality,fast delivery and best service.**

## **Our service**

1. We can reply your inquiry within 24 working hours.
2. Customized design is available and OEM are welcomed.
3. We can deliver the probe pins to our clients all over the world with speed and precision.
4. We can provide the lowest price with high quality product to our client

## **Main Products**

Spring loaded pin (single) for [PCB](#), [ICT](#), [FCT](#) testing etc;

Pogo pin (connector) to establish connection between two printed circuit boards for charging, locating, Battery, Semiconductor & Interconnect applications;

[Double ended probe](#) for BGA and Semiconductor testing;

Universal pin without spring, coating pin, LM pin with QZ and VZ series;

[High current probe](#), [Switch probe](#), Capacitance needle;

Terminal & receptacle /socket;

Other related electronic components, 30# OK wire, Jig locks, POM, Iron hinge etc

## **Equipment Control**

Spring exhausted tester	DC power supply	Current resistance tester
		
Microscope	Tensile strength tester	Spring tester
		

# Package

