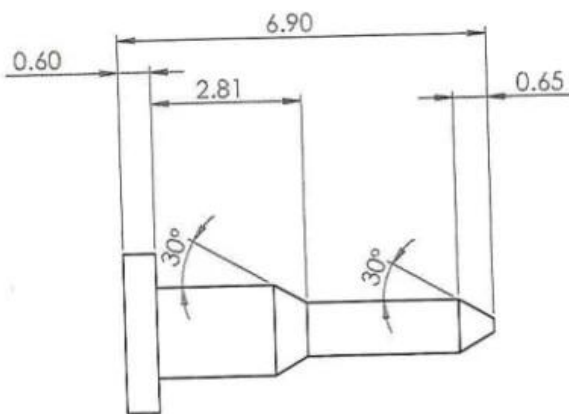
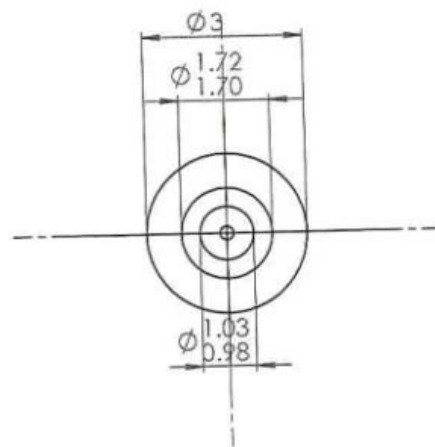


## Image du produit

Nom du produit	Goupille terminale en laiton
Matériel	Laiton, plaqué or
MOQ	1000PCS
Délai de mise en œuvre	3-7 jours ouvrables
La certification	ISO 9001



terminal pin: SF-Pin 3.0\*6.9mm



## Notre service

1. Nous pouvons répondre à votre demande dans les 24 heures.
2. Customizeddesign est disponible et les OEM sont les bienvenus.
3. Nous pouvons livrer les broches de sonde à nos clients du monde entier avec rapidité et précision.
4. Nous pouvons fournir le prix le plus bas avec un produit de haute qualité à notre client.

## Principaux produits

Goupille à ressort (simple) pour les tests de PCB, TIC, FCT, etc.

Broche Pogo (connecteur) pour établir la connexion entre deux cartes de circuit imprimé afin de charger, localiser, batterie, semi-conducteur et & Applications d'interconnexion;

Sonde à double extrémité pour les tests BGA et Semiconductor;

Goupille universelle sans ressort, goupille de revêtement, goupille LM avec les séries QZ et VZ;

Sonde de courant élevé, sonde de commutation, aiguille de capacité;

Terminal & prise de courant / prise de courant;

Autres composants électroniques associés, fil 30 # OK, verrous de gabarit, POM, charnière en fer, etc.

## La certification

**DAS CERTIFICATION**



**Quality Management System  
Certificate of Approval**  
This is to certify that the QMS of

**Suzhou Shengyifurui Electronic Technology Co.,Ltd**  
Unified Social Credit Code:91320506MA1NRNLF6N

Registration Address:Room 5277 Tianlong Building, No.378 Zhujiang Nan Road, Mudu Town,  
Wuzhong District, Suzhou City  
Business Address:Room 103 Units 2 Building 4, Xiangtihuayuan, No.567 Binhe Road, SND, Suzhou City

Has been assessed and found to meet the requirements of  
**GB/T 19001-2016/ISO 9001:2015**  
This certificate is valid for the following scope of operations:

Sales of test probes and related accessories

Date of Certificate Issue: Dec, 06, 2018  
Certificate Valid Until: Dec, 05, 2021  
Certificate Number: **QM291812020**

The validity of the registration will be continued only when the organisation pass the annual surveillance audit.  
Check the validity of certificate at [www.cnca.gov.cn](http://www.cnca.gov.cn) or [www.das-china.com](http://www.das-china.com)  
Surveillance Audits:







Authorized by:  Chief Executive



**Shanghai DAS Certification Co., Ltd. , member of SN Registrars(Holdings) Ltd.**  
Add:505, Tower 2, Guoson Center, No. 388, Zhongjiang Road, Shanghai, P.R.China, 200062  
Tel: 0086-21-62773910 Fax:0086-21-62080319  
Web:<http://www.das-china.com>  
Email: [info@das-china.com](mailto:info@das-china.com)  
UK Head Office: DAS Certification Limited (On Behalf of SN Registrars (Holdings) Limited)  
ADD: Registration House, 22b Church Street, Rushden,  
Northamptonshire, NN10 9YT, UK  
Tel:+44(0)1933 381859  
E-mail: [info@dascertification.co.uk](mailto:info@dascertification.co.uk)  
Web: [www.dascertification.co.uk](http://www.dascertification.co.uk)  
Company Number: 07659067



## Contrôle de qualité

Spring exhausted tester	DC power supply	Current resistance tester
 A tall, white, industrial-grade cabinet with a glass door on the upper half and a solid door on the lower half. It is situated in a laboratory or workshop environment.	 A white, rectangular benchtop power supply unit. The front panel features a red power switch, several control knobs, and output terminals. The text "YoRI ADJUSTABLE DC POWER SUPPLY MODEL: SP-1.0A-30V" is printed on the top.	 A white benchtop electronic device with a large green digital display showing "8.88.8". It has a "VOLTAGE" section with a warning symbol and a "RESISTANCE" section with a dial. The brand name "EXTENSIVE ELECTRONICS" is visible at the bottom.
Microscope	Tensile strength tester	Spring tester
 A white and black compound microscope with a large objective lens and a camera attachment on top, resting on a wooden table.	 A blue and white mechanical testing machine with a vertical column and a sample being held in a grip. It is located in a laboratory setting.	 A white mechanical testing machine with a digital display and a keypad, used for testing springs. It is placed on a wooden table in a laboratory.

## Image d'emballage

