

## Product Name:SF-pogo pin

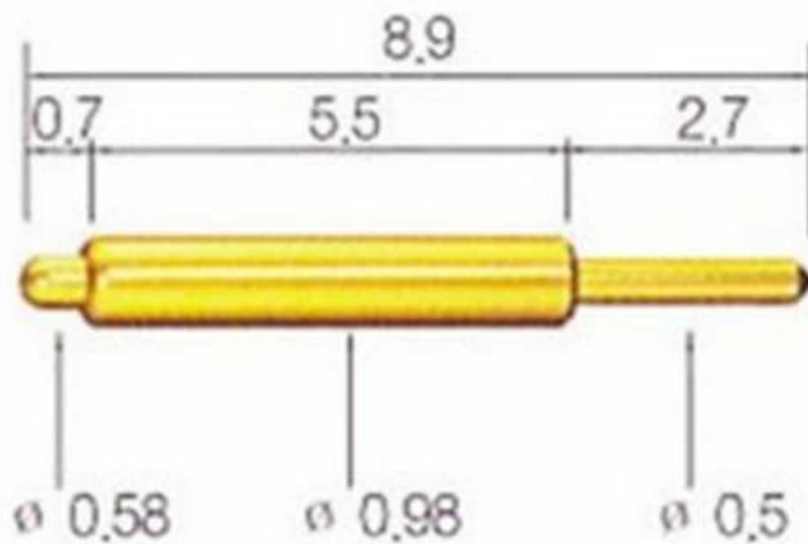
### Material and finishes

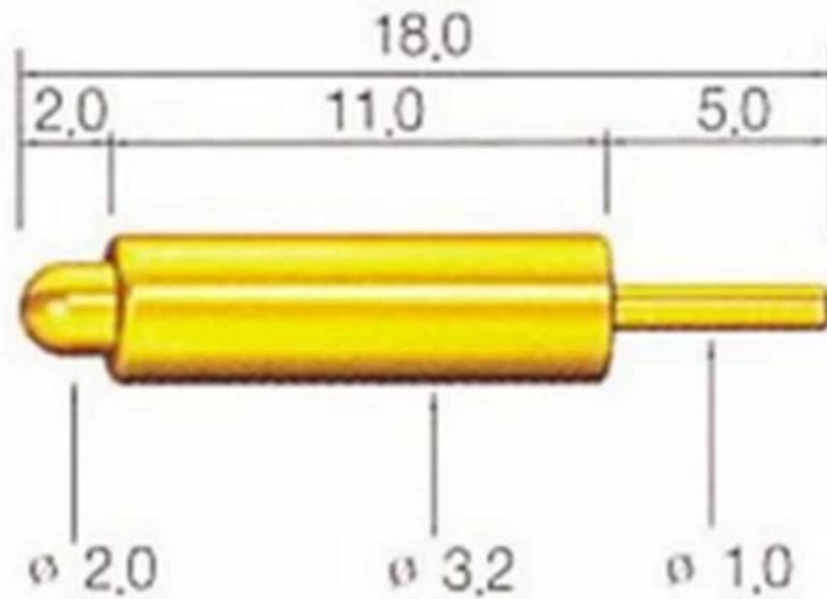
Plunger:Be Cu,Rh plated

Barrel:Brass,Gold plated

Spring:Stainless steel

### Pictures





- Any tips,we could provide for you
- If you are interested in it,pls contact me

## ShengFeng Probe

Our company established in 1984,Shengfeng Probe,the register name of Suzhou Shengteng Electronic Co.,Ltd,specializing in the

spring probe & the pogo pin & Terminal block with good quality, fast delivery and best service.

## Our Advantages

1. we have 30 years experience in probe pin and have ourself factory.
2. we provide free sample and have a testing department.
3. we could manufacture products as your request.
4. we guarantee best price and good service.

## Our factory



## Our equipment

|  |  |   |
|--|--|---|
| Spring exhausted tester  | DC power supply  | Current resistance tester   |
|   |   |   |
| Microscope   | Tensile strength tester  | Spring tester   |
|  |  |  |

**Our package**

