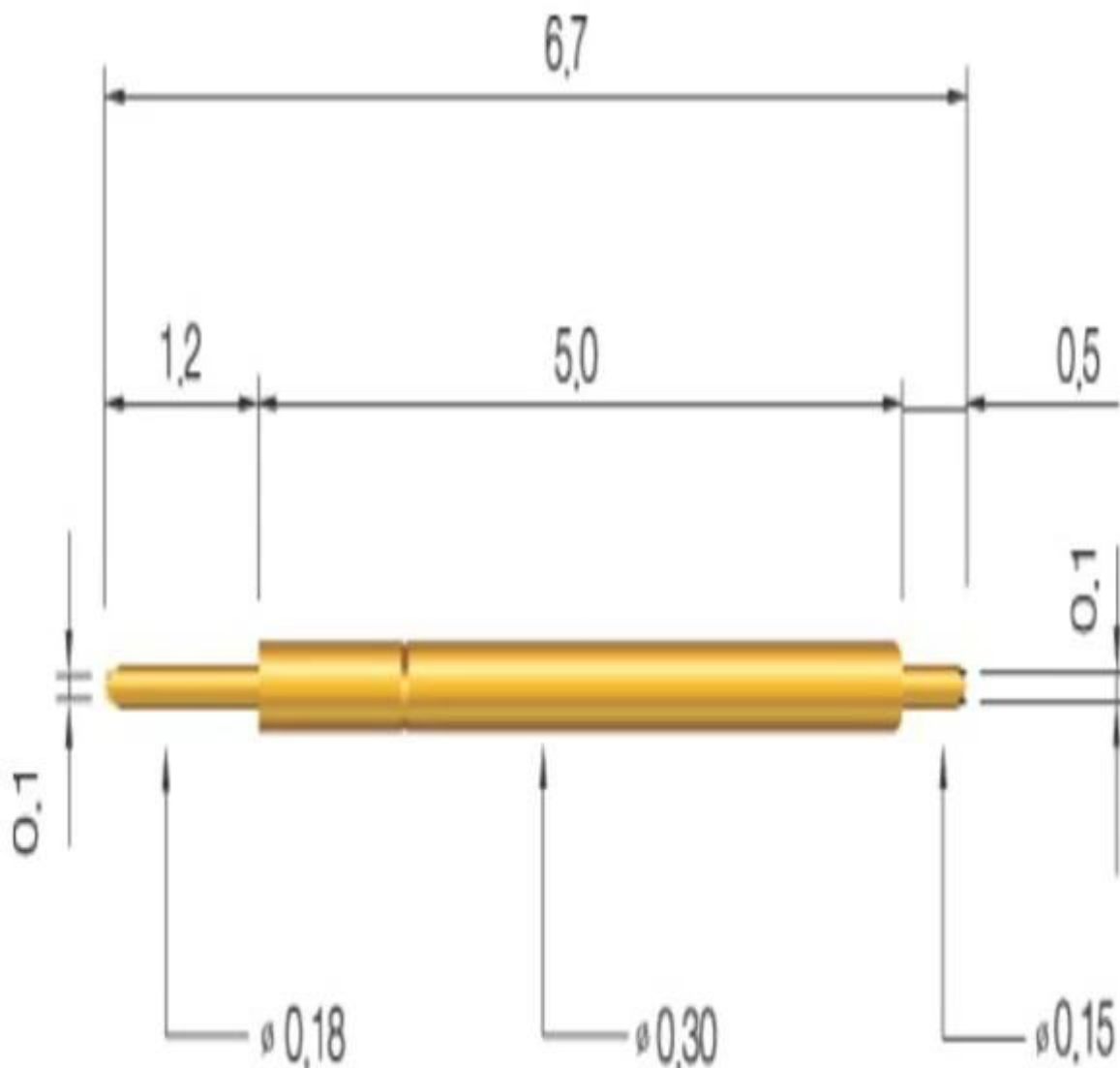


Product Specification

Brand	SFENG
Item number	double head pin $\varnothing 0.3 \times 6.7$
Plunger	SK4 heat-treated
Barrel	Brass
Spring	SK4, music wire
Spring Force	20g
Current Ration	1A
Current Resistance	less than 50mohm
Mounting hole size	2.75mm
MOQ	100 pcs
Lead time	7 working days after receiving the payment

Product Picture



Our Service

1. Reply your inquiry within 24 working hours
2. Customized design is available, OEM are welcomed
3. Delivery the probe pins to our clients all over the world with speed and precision
4. Provide the lowest price with high quality to our client

Main Products

- Spring loaded pin (single) for PCB, ICT, FCT testing, etc;
- Pogo pin (connector) to establish a (usually temporary) connection between two printed circuit boards for charging, locating, Battery, Semiconductor & interconnect applications;
- Double ended probe for BGA & semiconductor testing;
- Universal pin without spring, coating pin, LM pin with QZ & VZ series;
- High current probe, Switch probe, Capacitance needle...
- Terminal & receptacle/socket;
- Other related electronic components, 30# OK wire, Jig locks, POM, Iron hinge, etc

Quality Control

Spring exhausted tester	DC power supply	Current resistance tester
		
Microscope	Tensile strength tester	Spring tester
		

Packing Picture

