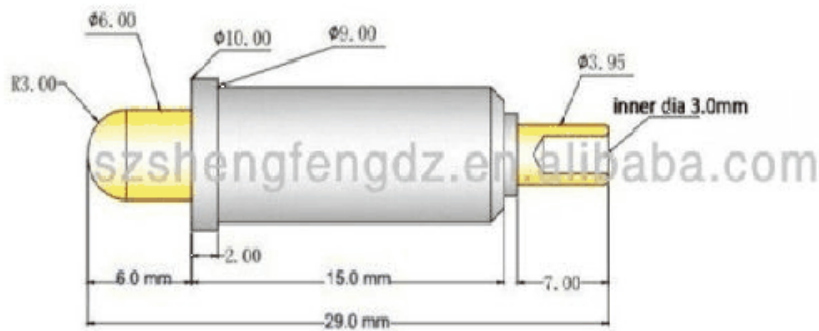


10A current ration high current pin spring loaded pogo pin

Product Picture





规格

型号: SF-PPA3.0*29(10A)

管子材料: 黄铜55-1上镀镍

针杆: 黄铜镀金

弹簧: 不锈钢

弹簧压力: 2/3行程处弹力320g±10%

电流: 13A

Our Service

1. We can reply your inquiry within 24 working hours.
2. Customized design is available and OEM are welcomed.
3. We can deliver the probe pins to our clients all over the world with speed and precision.
4. We can provide the lowest price with high quality product to our client .

Main Products

Spring loaded pin (single) for PCB, ICT, FCT testing etc;

[Pogo pin](#) (connector) to establish connection between two printed circuit boards for charging, locating, Battery, Semiconductor & Interconnect applications;

Double ended probe for BGA and Semiconductor testing;

Universal pin without spring, coating pin, LM pin with QZ and VZ series;

[High current probe](#), [Switch probe](#), Capacitance needle;

Terminal & receptacle /socket;

Other related electronic components, 30# OK wire, Jig locks, POM, Iron hinge etc

Quality Control



Packing Picture

