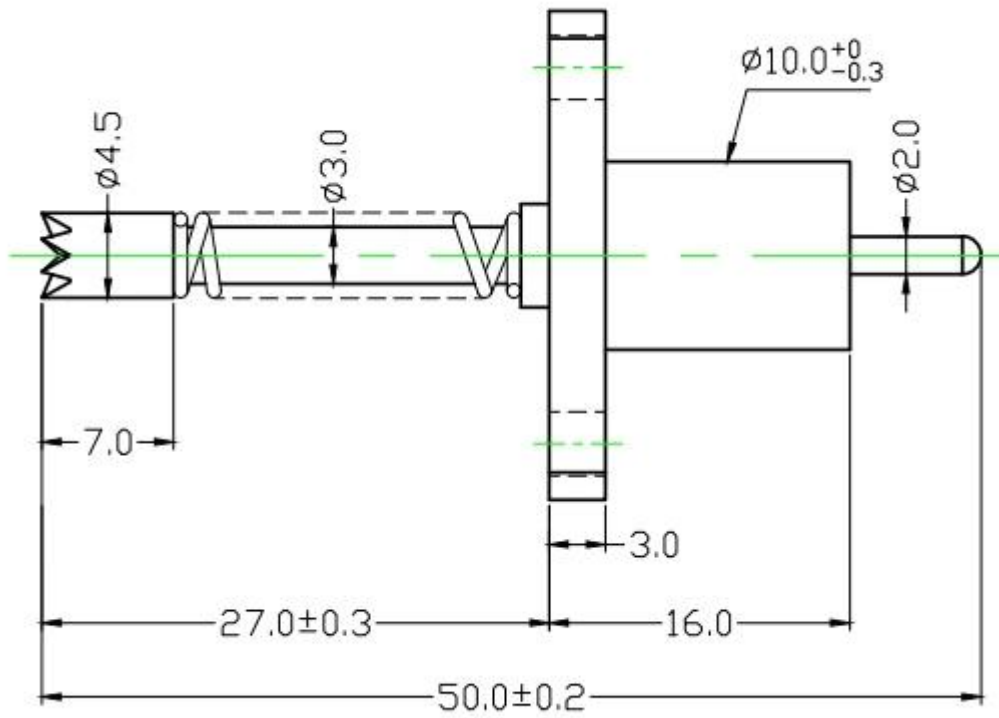


# Large Current Pogo Pin For Connectors

## Product Specification

Brand	SFENG
Item number	SF-Current Probe4.5*50.0
Plating	Ni-plated or Gold-plated
Lead time	7 working days after receiving the payment



## Product Picture

**SFENG**  
The China's The World's





## Our Service

1. We can reply your inquiry within 24 working hours.
2. Customized design is available and OEM are welcomed.
3. We can deliver the probe pins to our clients all over the world with speed and precision.
4. We can provide the lowest price with high quality product to our client .

## Main Products

Spring loaded pin (single) for PCB, ICT, FCT testing etc;

Pogo pin (connector) to establish connection between two printed circuit boards for charging, locating, Battery, Semiconductor & Interconnect applications;

Double ended probe for BGA and Semiconductor testing;

Universal pin without spring, coating pin, LM pin with QZ and VZ series;

High current probe, Switch probe, Capacitance needle;

Terminal & receptacle /socket;

Other related electronic components, 30# OK wire, Jig locks, POM, Iron hinge etc

## Quality Control



## Packing Picture



## FAQ

## FAQ

### 1. What is terms of SFENG payment?

Usually, we require 100% payment before delivery. You can choose Wire transfer and Pay Pal. The currency we accept are USD dollar, Japanese Yuan and RMB. Payment term is negotiable for special order.

### 2. What is the lead time of orders?

SFENG can send standard probes products out within 3 days. For customized products, the lead time is 15-20 days depending on order quantity.

### 3.How does SFENG control product quality?

SFENG have skilled QC team and professional testing equipment. From raw material to finished products, we have complete checking process. Only approved products are allowed to deliver to customer.

### 4. Can customized products be accepted?

Yes, one biggest advantage of SFENG is product customization. Just telling us the parameter and function you need, our professional engineer will design product specially for you.

### 5.How does SFENG hand in case of a compliant?

Compliant seldom happen. Usually, we will find root case and take corrective measure within one week since receiving defective samples.

