

## **Specifications**

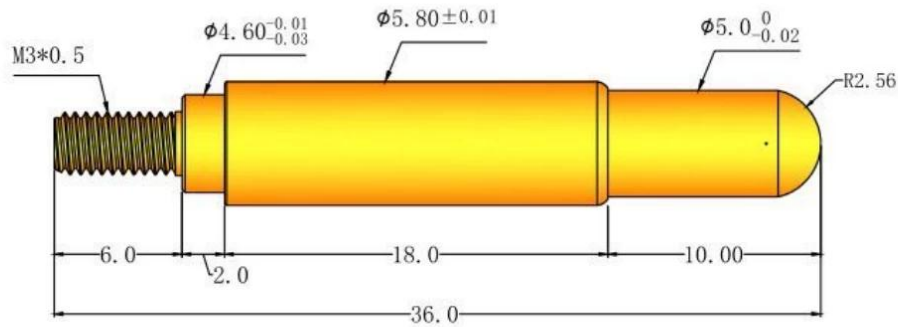
Brand	SFENG
Model	Pogo pin with Screw Thread
Plunger	Brass
Body	Brass
Spring	SUS303
Spring force	Customized
Full travel	Customized
Switch path	Customized
Current Resistance	NO
Spacing	NO
Mounting dimensions	NO
MOQ	100
delivery time	15 Days after confirming order

## **Pogo pin Image**

**SFENG**  
The China's The World's



*Pogo pin drawing*


**Materials (Plated) (材質與鍍層) :**

Barrel (針套) : Brass (黃銅) , Au on Ni Plated  
 Plunger (針軸) : Brass (黃銅) , Au on Ni Plated  
 Spring (彈弓) : SUS304 (不鏽鋼) , /

**Specifications (技術要求) :**

Contact Resistance (接觸電阻) : 50mΩ  
 Full Stroke (滿沖程) : 10mm  
 Spring Force (額定彈力) : 400±10%gf@ load 10mm

## our service

1. Quick response.
2. Customized is accepted.
3. Short production time and fast delivery.
4. High quality and good price.

## Main products

Spring-loaded pin (single) of PCB, ICT, FCT testing;

Spring pin (connector) to establish a connection between two printed circuit boards for charging, positioning, batteries, semiconductors and amplifiers; interconnect applications;

BGA and semiconductor test double-ended probe;

Universal pin no spring, paint needle, LM pin QZ and VZ series;

High current probe, the probe switches, capacitors needle;

Pier and amplifier; socket / socket;

Other related electronic components, 30 # OK line, jig lock, POM, iron hinges, etc.

## Production process



1. Raw material warehouse



2. Lathe workshop



3. Assemble workshop



4. Quality inspection

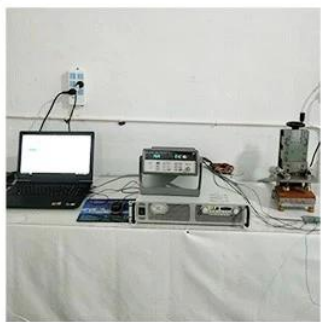


5. Finished products



6. Packing

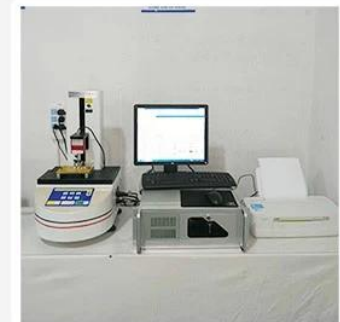
## Testing equipment



1. Agilent current testing



2. Quadratic element



3. Load Curve Meter



4. Bond Test



5. Life Fatigue Test



6. Microscope

## Packing & delivery

Standard products will be delivered out within 3 days. Customized products will be sent out within 15 days.

