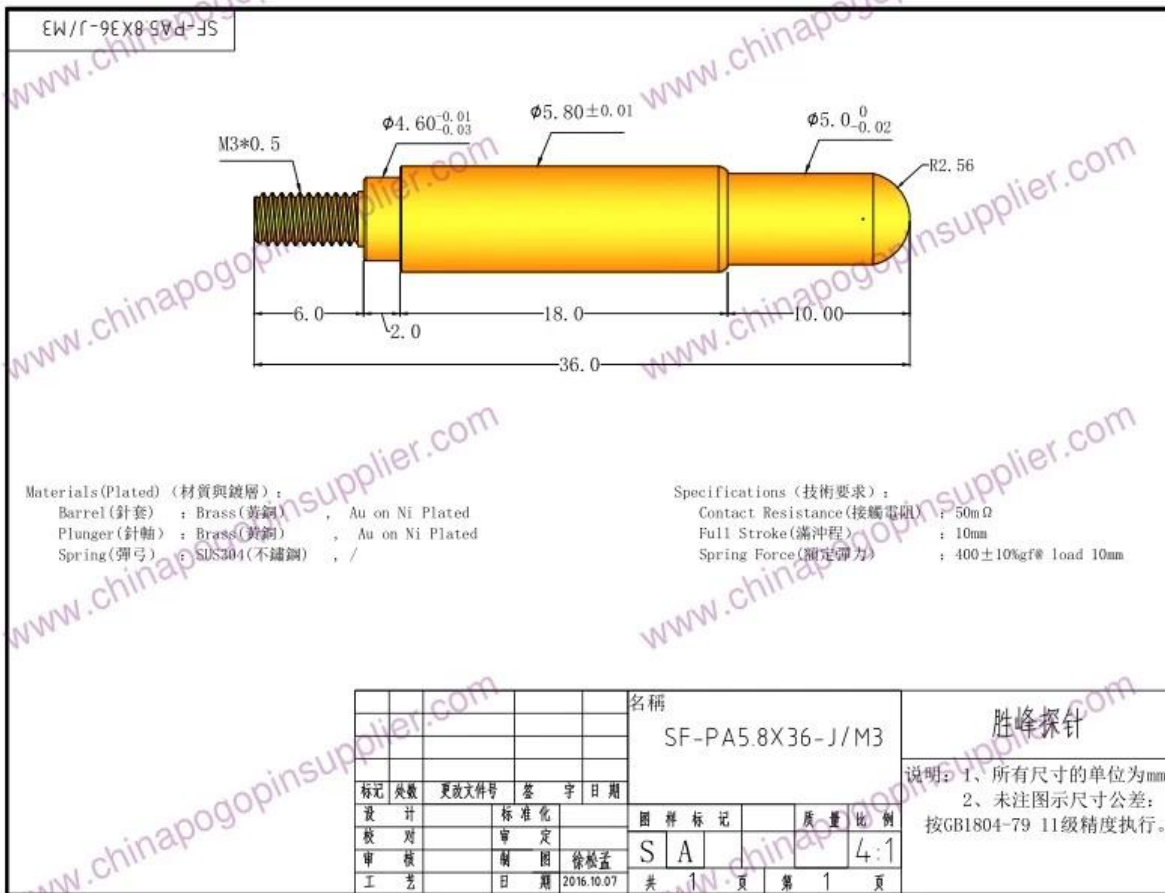


3A current spring loaded pogo pin contact connectors SF-PPA5.8*36-J/M3

Specification

Item Name	3A current spring loaded pogo pin contact connectors SF-PPA5.8*36-J/M3
Material and finishes	Plunger:Brass,gold plated over nickel plated; Barrel:Brass,Gold plated over Nickel plated; Spring:Stainless steel;
Spring force	400g
Lead time	3-10 days
Shipment	DHL/TNT/UPS/FEDEX





SFENG Probe factory introduction

Suzhou Shengyifurui Electronic Technology Co.,Ltd is specializing in the spring probe&the pogo pin with high quality,low price and fast delivery.We have our own brand,we always devote ourselves to achieving international standards,our company have passed the ISO9001-2008 quality managements certification and our products are qualified of RoHs.

Quality Test equipment

Spring exhausted tester	DC power supply	Current resistance tester
		
Microscope	Tensile strength tester	Spring tester
		

Packaging

