

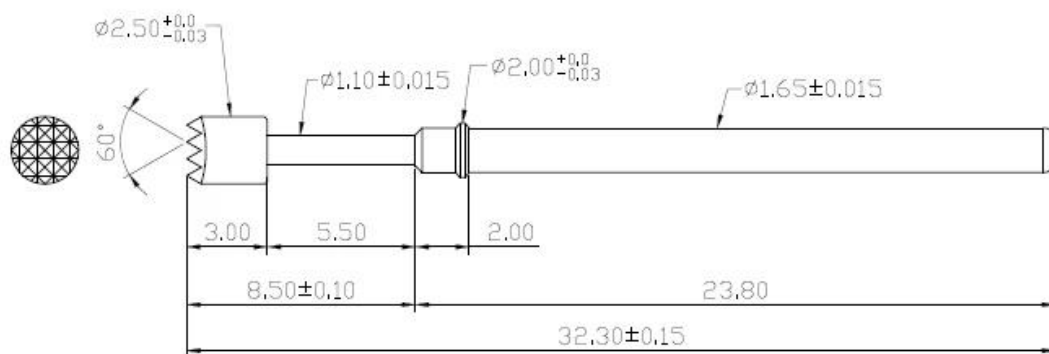
## **Specifications**

Brand	SFENG
Model	SF-PA1.65X32.3-H2.5
Plunger	Beryllium copper
Body	Brass
Spring	SUS
Spring force	150g
Working travel	4.0mm
Plated	Gold plated
Current Resistance	50mΩ
Spacing	/
Mounting dimensions	/
MOQ	1000
delivery time	15 Days after confirming order

## **Customized probe pin Image**



*Customized probe pin drawing*



**our service**

1. Quick response.

- 2. Customized is accepted.
- 3. Short production time and fast delivery.
- 4. High quality and good price.

## **Main products**

Spring-loaded pin (single) of PCB, ICT, FCT testing;

Spring pin (connector) to establish a connection between two printed circuit boards for charging, positioning, batteries, semiconductors and amplifiers; interconnect applications;

BGA and semiconductor test double-ended probe;

Universal pin no spring, paint needle, LM pin QZ and VZ series;

High current probe, the probe switches, capacitors needle;

Pier and amplifier; socket / socket;

Other related electronic components, 30 # OK line, jig lock, POM, iron hinges, etc.

## **Production process**



**1. Raw material warehouse**



**2. Lathe workshop**



**3. Assemble workshop**



**4. Quality inspection**



**5. Finished products**

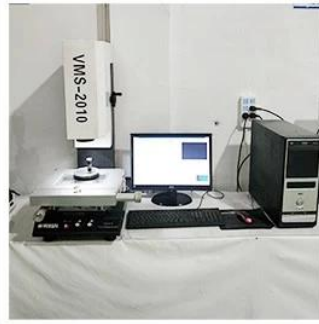


**6. Packing**

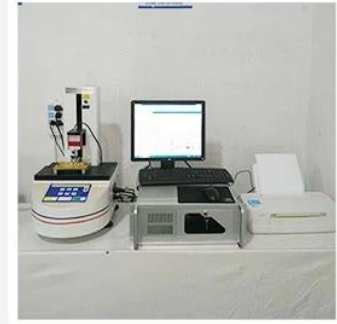
## **Testing equipment**



1. Agilent current testing



2. Quadratic element



3. Load Curve Meter



4. Bond Test



5. Life Fatigue Test



6. Microscope

## Packing & delivery

Standard products will be delivered out within 3 days. Customized products will be sent out within 15 days.

