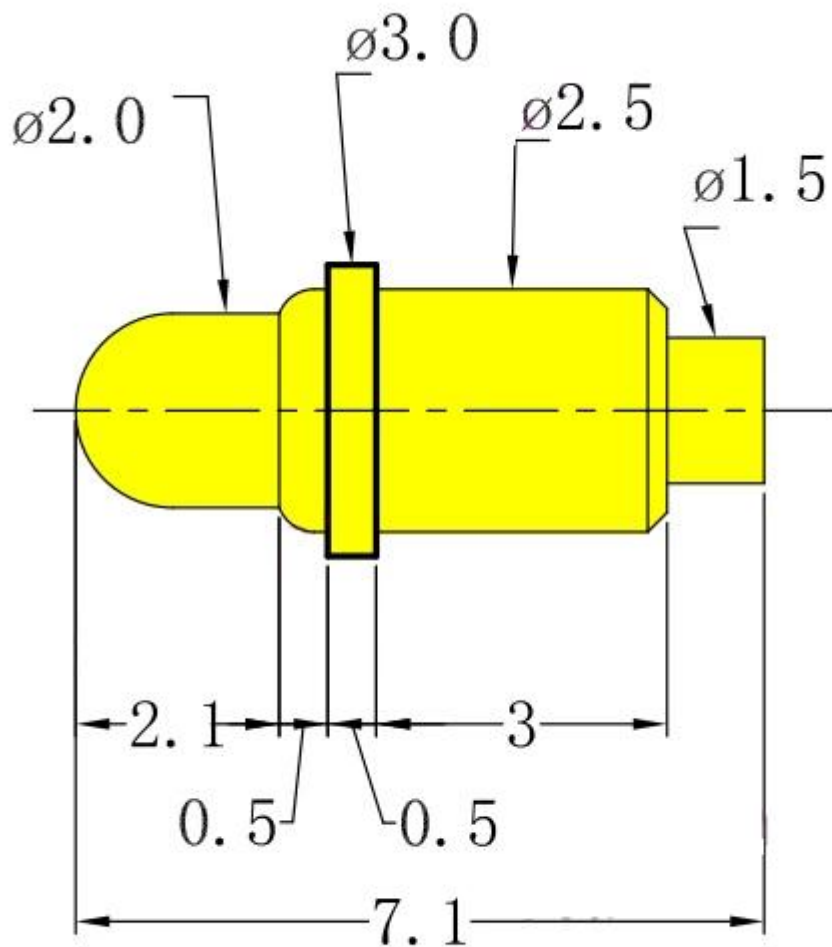


Product Drawing



Item code	SF-PPA2.5*7.1
Material	Plunger: Brass, Au on Ni plated Barrel: Becu, Au on Ni plated Spring: SWP
Full Stroke	2.1mm
Rated Stroke	1.4mm
Spring force	95g @ load 1.4mm 120g @ load 2.1mm
MOQ	100pcs

Our main products

- Spring loaded pin(single) for PCB,ICT,FCT testing,etc;
- Pogo pin(connector) to establish a(usually temporary)connection between two printed circuit boards for charging, locating, Battery, Semiconductor & interconnect Applications;
- Double ended probe for BGA&semiconduction testing;
- Universal pin without spring,coating pin,LM pin with QZ&VZ series;
- High current probe,Switch probe,Capacitance needle...
- Terminal&receptacle/socket;
- Other related electronic components,30#OK wire,Jig locks,POM,etc
battery contact pin photos

Factory Image



FAQ

1) Can we make a different size or different material, say like customized item?
Surely, one of our main features is OEM

2) Are those spring probe or pogo pins produced by your company?

Yes, our production department are with over 30 sets of CNC equipments.

3) Do you have a registered brand?

Yes, SFENG PROBE is our own brand.

4) Do you have QC process?

Yes, we have a testing department.

5) How is it going with Suzhou shengteng & shengfeng probe?

Suzhou shengteng Electronic Company is our registered company name;

shengfeng probe is registered brand name.

6) can I have a free sample before placing order?

If the standard items, with in stock, No problem, we can send 3 ~ 5 pcs for your testing approval;
if a special request of item, supposed a new mould, we will charge a certain deposit and can be refundable.