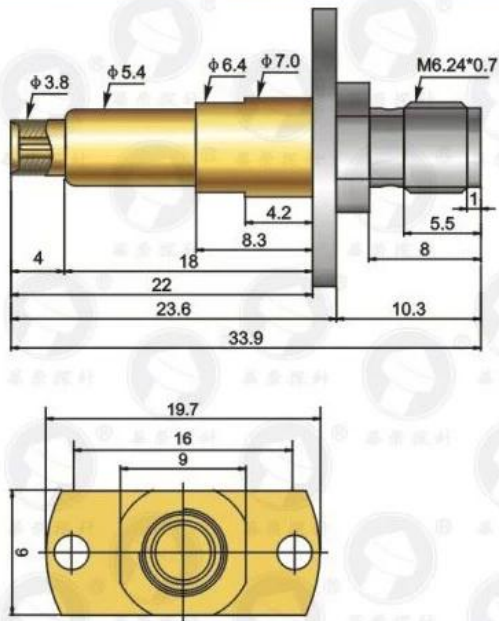


Product pictures

高频针SF-540 系列



材料

针杆	黄铜镀金
针管	黄铜镀金
大弹簧	琴线镀金
绝缘体	铁氟龙
底座	黄铜镀镍

内芯针

针杆	镀铜镀金
针管	磷铜管镀金
小弹簧	琴线镀金

机械电器性能

行程	3.8mm
弹力	300g
最大电流	3安培
电阻	50毫欧姆
频宽	2.4GHZ

Our services

1. we will respond to you within 24 working hours.
2. custom designs are available and OEM are welcome.
3. we can deliver speed and precision will probe with customers around the world.
4. we can offer the lowest price and high quality products for our customers.

Main products

Spring loaded pin (single) PCB, information and communications technology, FCT test;
Pogo pin (connectors), two for the charge, positioning, batteries, semiconductors, interconnect applications; Establish a connection between the printed circuit board
Pair of single-ended probes BGA and semiconductor testing;
GM pins no spring, paint, LM pin QZ and VZ series;
Needle probes high current probe, switch, capacitor;
Terminal and socket/socket;
Other related electronic components, 30 # OK line, jigging machine locks, Pom, iron hinge

Quality control

Spring exhausted tester



DC power supply



Current resistance tester



Microscope



Tensile strength tester



Spring tester

