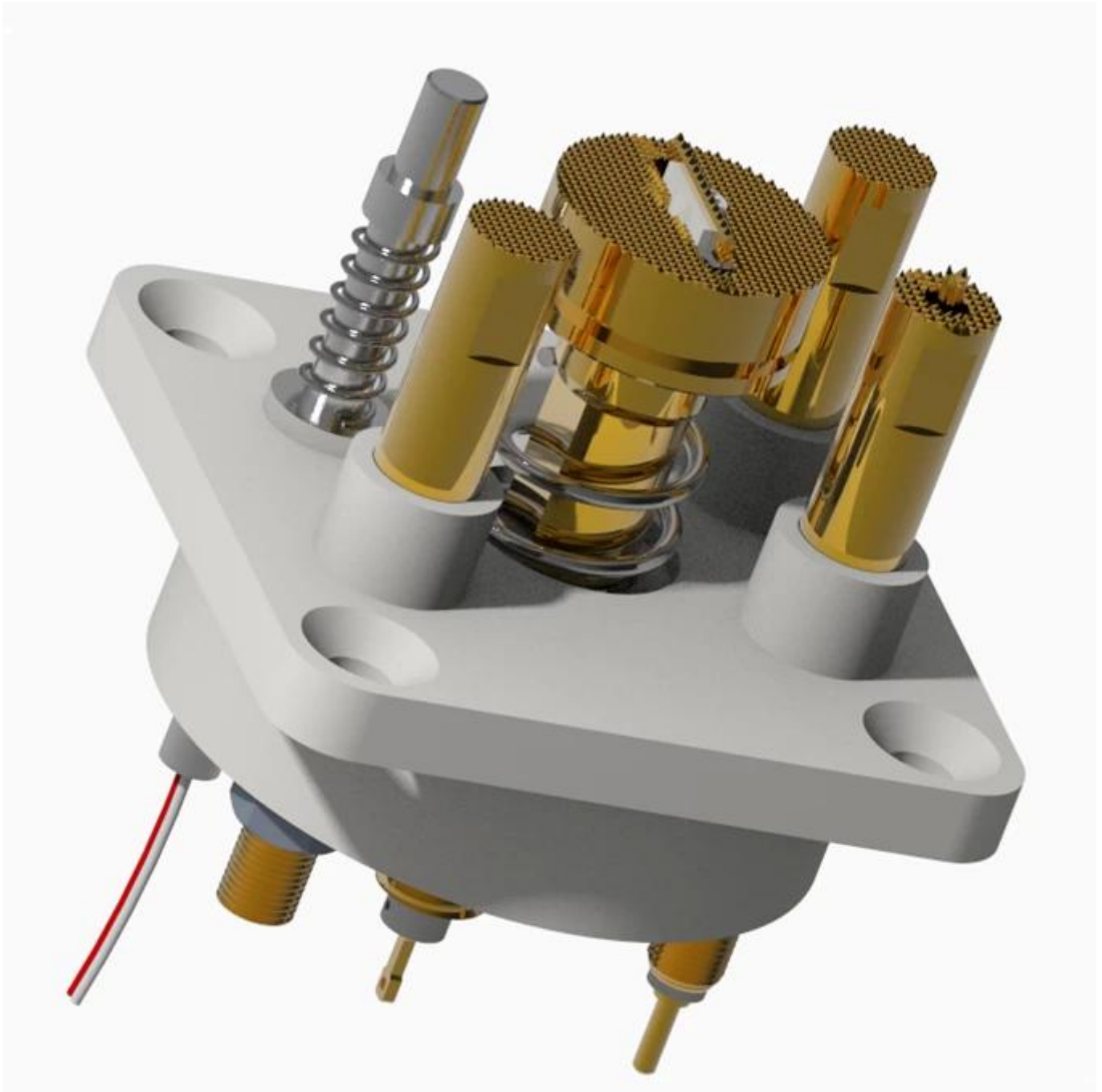
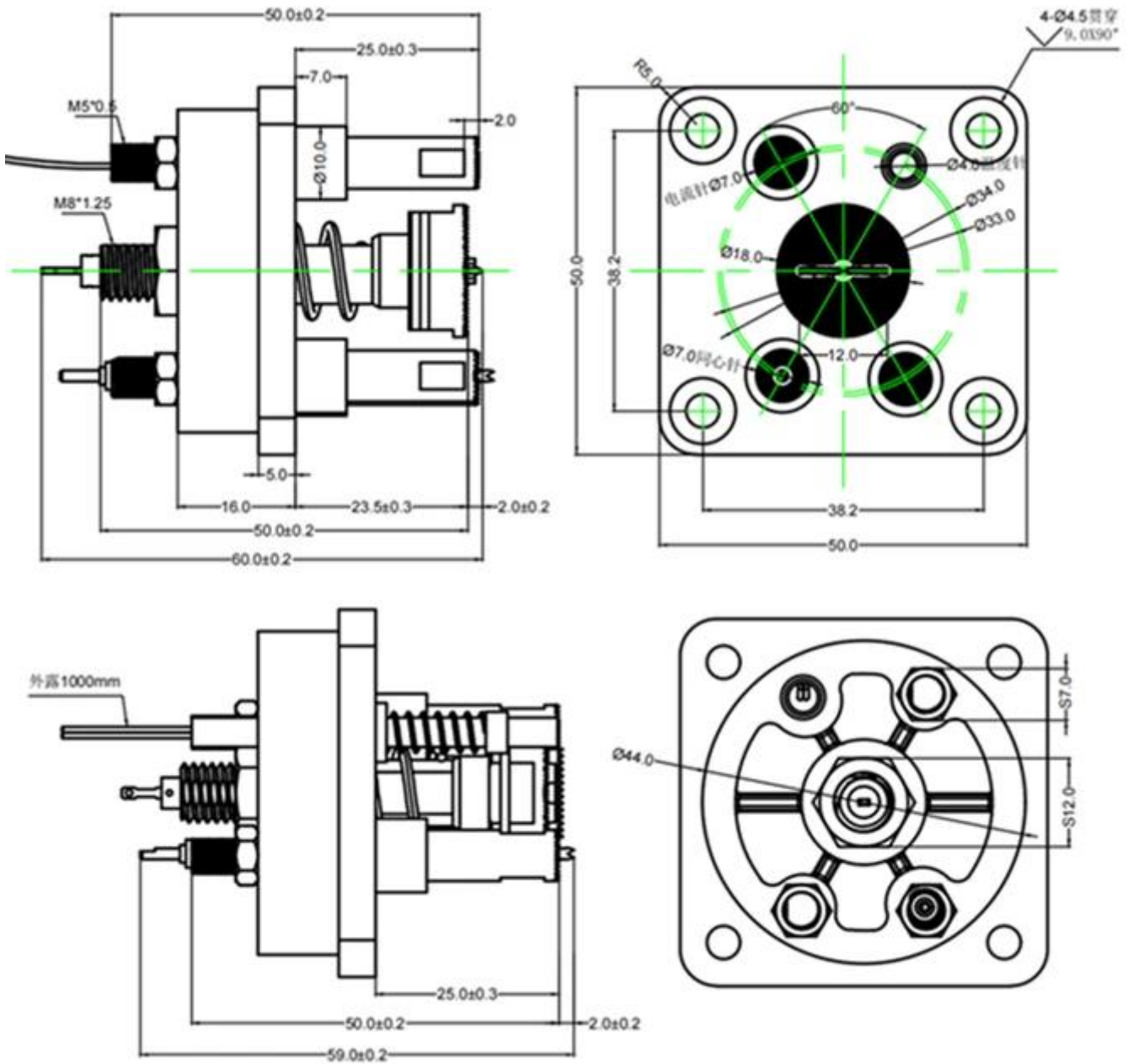


Product Description

High-current probes are characterised by a specific probe design with low resistance. ([big current probe on sales china](#).) The main focus here is to avoid a too strong temperature increase of the probes or the individual probe components and to optimise the contact to the test item.

Product drawing:





Product Parameters:

Product Name	60A probe pin set
Item No.	SF-15-7-6
60A Probe pin sets	18.0 voltage pin, 7.0 coaxial pin, 7.0 current pin, 4.0 temperature needle
15.0 Voltage pin	Material: Copper, Gold plated or Ni plated Full travel $\geq 8.0\text{mm}$ Spring force: $5\text{kg} \pm 20\%$ when working travel 5.0mm Current rating: 60A
7.0 Coaxial pin, 7.0 Current pin	Material: Copper, Gold plated or Ni plated Full travel $\geq 8.0\text{mm}$ Spring force: $2\text{kg} \pm 20\%$ when working travel 5.0mm Current rating: 20A

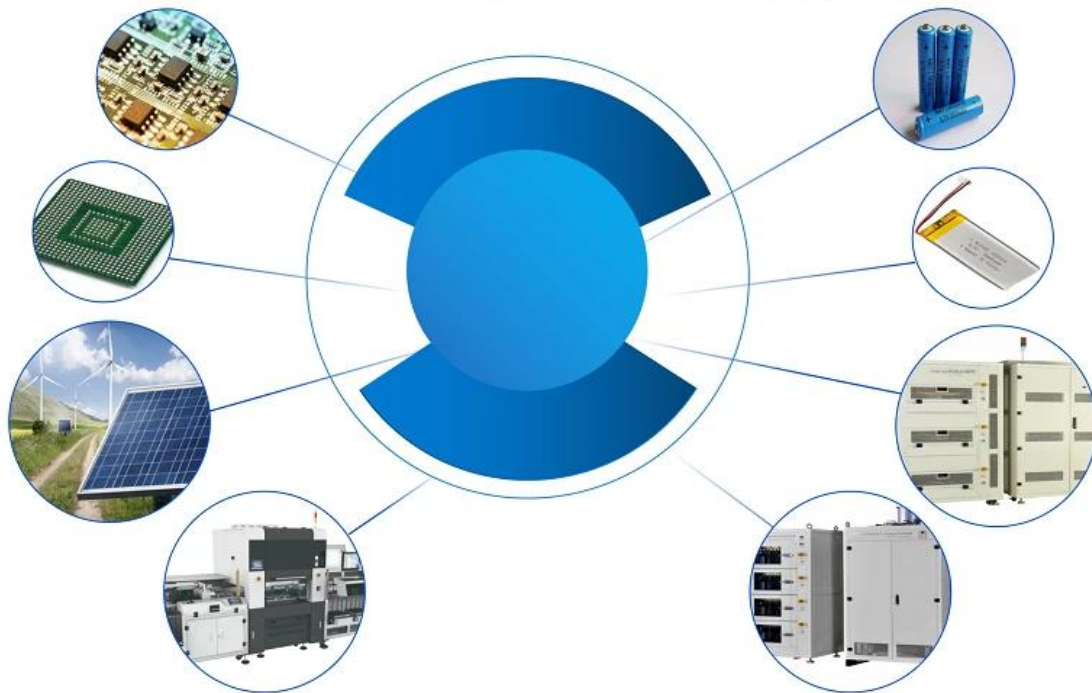
6.0 Temperature needle

Material: Copper, Ni plated
Full travel $\geq 8.0\text{mm}$
Spring force: $200\text{g} \pm 20\%$ (when working travel to 5.0mm)

Applications:

The applications for high-current probes are diverse and range from fixture construction and wire harness testing to special applications, such as charging and discharging processes in battery production.

Application



Package:



Logistics:

Sample order ship by DHL, UPS, FedEx, TNT, EMS etc

For mass order delivery, can be optional with terms of Exwork, FOB, CNF, CIF by air or by sea based on the buyer's forwarder or ours



Factory Show:





