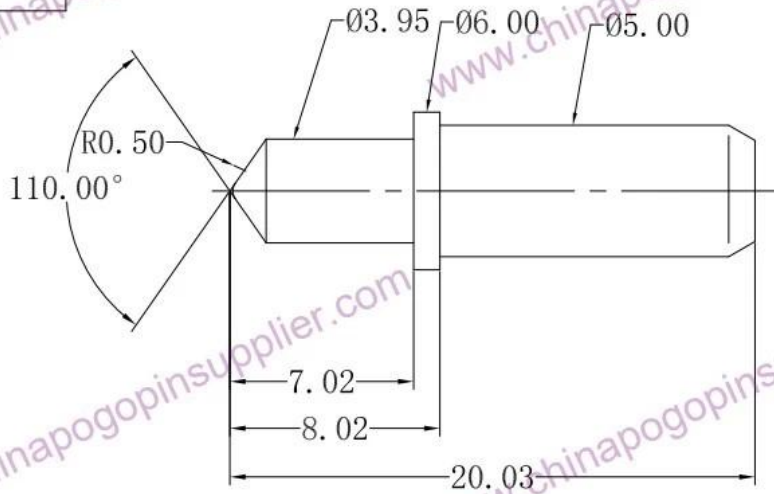


## ***Production specifications***

Item number	SF0894
Size	dia6.0*20.03mm
Material	Plunger:BeCu,Au on Ni plated Barrel:Brass,Au on Ni plated Spring:SWP
Full stroke	6.0mm
Rated Stroke	4.8mm
Spring force	1000±20%gf@load 4.8mm
MOQ	100PCS
Payment	T/T
Delivery time	5-15days after receiving the payment

## ***Product Pictures***

合廠留



Materials(Plated) (材質與鍍層):  
 Barrel(針套) : Brass(黃銅)  
 Plunger(針軸) : BeCu(鍍銅)  
 Spring(彈簧) : SWP(琴鋼線)

, Au on Ni Plated 2-3u"  
 , Au on Ni Plated 2-3u"  
 , /

Specifications (技術要求):  
 Full Stroke(滿沖程) : 6.0mm  
 Rated Stroke(額定沖程) : 4.8mm  
 Spring Force(額定彈力) : 1000g±20% @ load 4.8mm

				GKS-373			
标记	处数	更改文件号	签字	日期	图样	标记	质量
设计			标准化		S	A	比例
校对			审定				10:1
审核			制图		共	1	页
工艺			日期	2015.11.20	第	1	页

胜峰探针

说明: 1、所有尺寸的单位为mm  
 2、未注图示尺寸公差:  
 0.5<X≤6 ±0.05  
 6<X≤10 ±0.10  
 10<X≤50 ±0.2  
 50<X≤100 ±0.3

**Production Flow**



1. raw material warehouse



2. Lathe workshop



3. Assemble workshop



4. Quality inspection



5. Finished products



6. Packing

## Testing Equipment

### Measuring Equipment >



#### Measuring Equipment:

1. Agilent current testing;
2. Quadratic element measurement
3. Load Curve Meter
4. Bond Test
5. Life Fatigue Test

## *Packing*



## *Main products*

- 1.Spring loaded pin(single)for PCB,ICT,FCTtesting etc;
- 2.Pogo pin(connector)to establish connection between two printed circuit boards for charging,locating,battery,semiconductor&interconnector applications;
- 3.Double ended probes for BGA and semiconductor testing;
- 4.Universal pin without spring,coating pin,LM pin with QZ and VZ series;
- 5.High current probe,switch probe,capacitance needle;
- 6.Terminal&receptacle/socket;
- 7.Other related electronic components,Jig locks,POM and etc.

**Whatever you want,please contact us without hesitation ,and we will try our best to meet your requirement within our capability.**

## *Our service*

- 1.We can reply your inquiry within 24 working hours;
- 2.Customized design is availble and OEM are welcomed;
- 3.We can deliver the probe pins to our clients all over the world with speed and precision.
- 4.We can provide the lowest price with high quality products to our clients.

