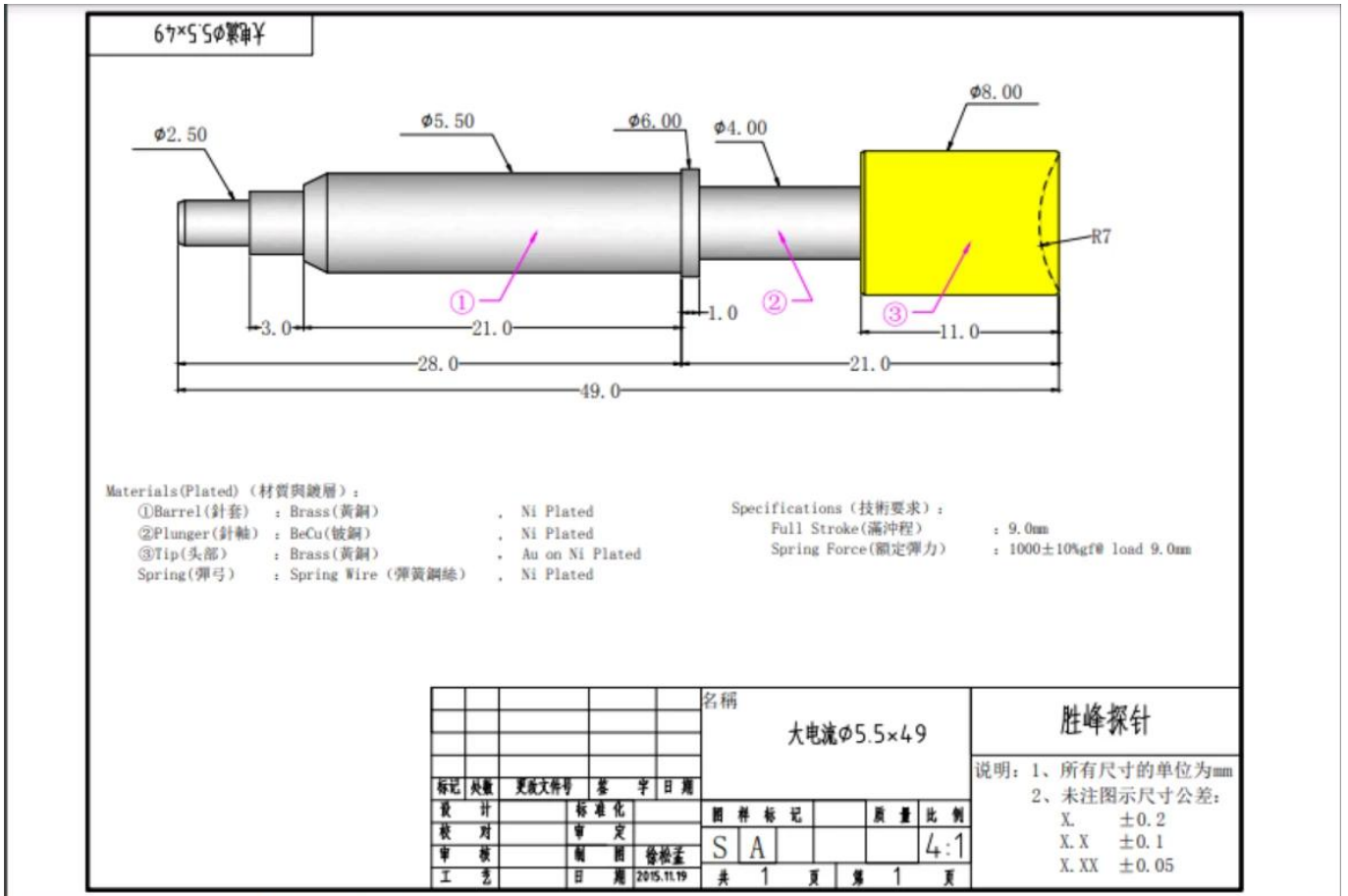


Product information

Item	SF-PPA5.5X49
Plunger	Beryllium copper
Body	brass
Spring	Stainless steel
Spring force	1000g±10%
MOQ	500pcs
Lead time	7 days

Product drawing



Product real picture

SFENG
The China's The World's



Factory

