

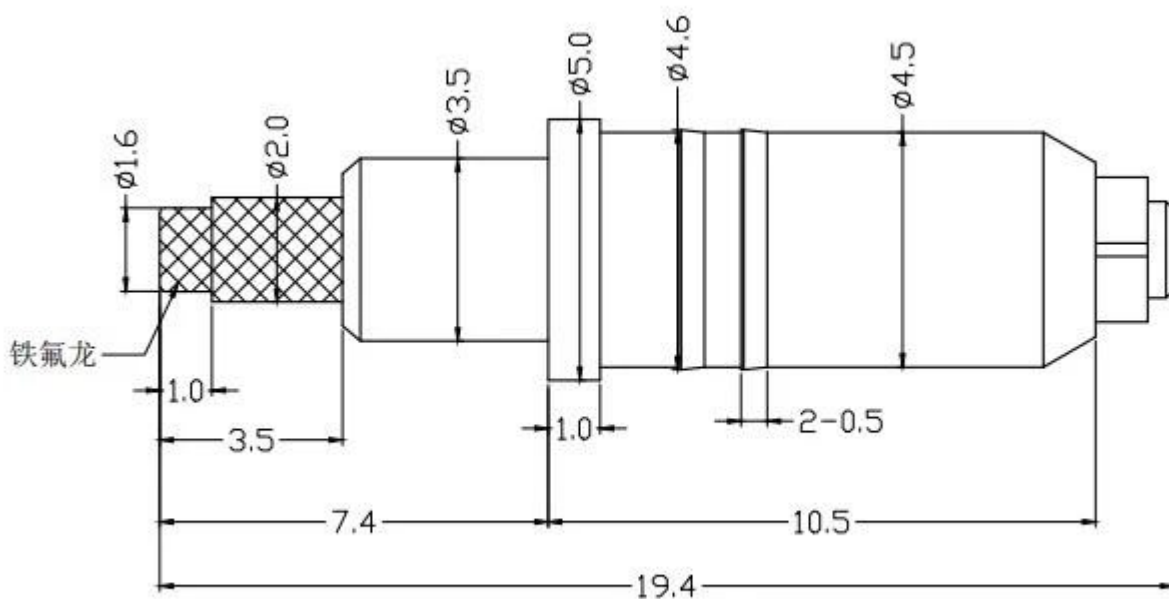
## Product description

Pogo pin is generally used in mobile phones, communications, automotive, medical, aerospace and other electronic products in the precise connection, can improve the anti-corrosion, stability, durability of these connectors. As for the needle tips, sharp header, grasping needle, round-headed needle, knife-shaped needle and so on are welcomed to customize.

## Product specifications

Item number	SF6994
Rated stroke	1.5mm
Full stroke	3.0mm
Spring force	10±3gf@ 1oad 1.5mm
Customize support	OEM & ODM
MOQ	200PCS
Package	Plastic bag, carton box
Payment	100% T/T before shipment
Delivery time	5-10days after receiving the payment

## Product Pictures



# Production Flow



Production Flow (生产流程)



1. raw material warehouse



2. Lathe workshop



3. Assemble workshop



4. Quality inspection



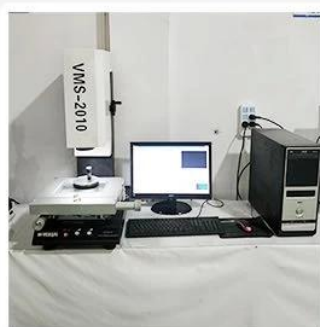
5. Finished products



6. Packing

# Testing Equipment

## Measuring Equipment >



### Measuring Equipment:

1. Agilent current testing;
2. Quadratic element measurement
3. Load Curve Meter
4. Bond Test
5. Life Fatigue Test

## *Packing*



## *Main products*

- 1.Spring loaded pin(single)for PCB,ICT,FCTtesting etc;
- 2.Pogo pin(connector)to establish connection between two printed circuit boards for charging,locating,battery,semiconductor&interconnector applications;
- 3.Double ended probes for BGA and semiconductor testing;
- 4.Universal pin without spring,coating pin,LM pin with QZ and VZ series;
- 5.High current probe,switch probe,capacitance needle;
- 6.Terminal&receptacle/socket;
- 7.Other related electronic components,Jig locks,POM and etc.

Whatever you want,please contact us without hesitation ,and we will try our best to meet your requirement within our capability.

## *Our service*

- 1.We can reply your inquiry within 24 working hours;
- 2.Customized design is available and OEM are welcomed;
- 3.We can deliver the probe pins to our clients all over the world with speed and precision.

4. We can provide the lowest price with high quality products to our clients.