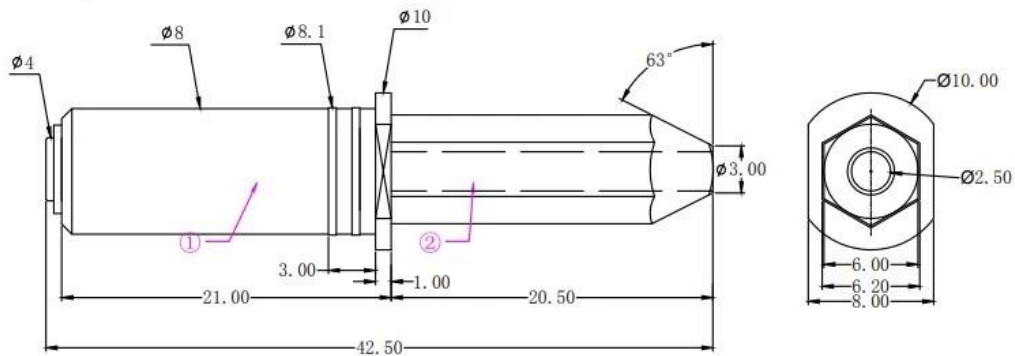


## ***Production specifications***

Item number	SF1875
Size	dia5.5*39.0mm
Material	Plunger:Brass, Ni plated Barrel:Brass, Ni plated Spring:SUS
Rated Stroke	9.0mm
Spring force	330±20%gf@load 9.0mm
MOQ	100PCS
Payment	T/T
Delivery time	5-15days after receiving the payment

## ***Product Pictures***

六角定位针GP8.0×42.5 (锥度)

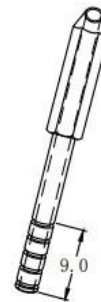


Materials (Plated) (材質與鍍層):

- ① Barrel (針套) : Brass (黃銅), Ni Plated
- ② Plunger (針軸) : Brass (黃銅), Ni Plated
- Spring (彈弓) : SUS304 (不鏽鋼線), /

Specifications (技術要求):

- Rated Stroke (額定沖程) : 5.0mm
- Spring Force (額定彈力) : 200gf @ load 5.0mm



				名稱		六角定位针GP8.0×42.5 (锥度)		勝峰探針		
标记	处数	更改文件号	签字	日期			说明: 1、所有尺寸的单位为mm 2、未注图示尺寸公差: 按GB1804-79 11级精度执行。			
设计			标准化		图样标记	质量			比例	
校对			审定		S	A			3:1	
审核			制图	HJQ						
工艺			日期	2018-6-7	共	1	页	第	1	页

## Production Flow



1. raw material warehouse



2. Lathe workshop



3. Assemble workshop



4. Quality inspection



5. Finished products



6. Packing

## Testing Equipment

### Measuring Equipment >



#### Measuring Equipment:

1. Agilent current testing;
2. Quadratic element measurement
3. Load Curve Meter
4. Bond Test
5. Life Fatigue Test

## *Packing*



## *Main products*

- 1.Spring loaded pin(single)for PCB,ICT,FCTtesting etc;
- 2.Pogo pin(connector)to establish connection between two printed circuit boards for charging,locating,battery,semiconductor&interconnector applications;
- 3.Double ended probes for BGA and semiconductor testing;
- 4.Universal pin without spring,coating pin,LM pin with QZ and VZ series;
- 5.High current probe,switch probe,capacitance needle;
- 6.Terminal&receptacle/socket;
- 7.Other related electronic components,Jig locks,POM and etc.

**Whatever you want,please contact us without hesitation ,and we will try our best to meet your requirement within our capability.**

## *Our service*

- 1.We can reply your inquiry within 24 working hours;
- 2.Customized design is availble and OEM are welcomed;
- 3.We can deliver the probe pins to our clients all over the world with speed and precision.
- 4.We can provide the lowest price with high quality products to our clients.

