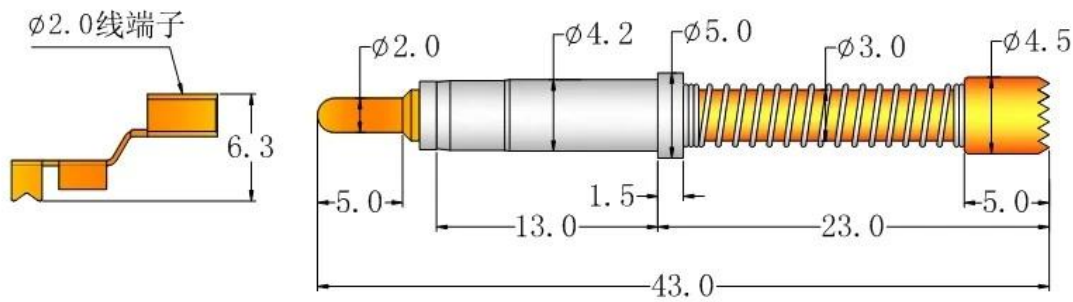


Product Picture

SFENG
The China's The World's



Drawing



技术要求:

1. 未注尺寸公差按GB1804-79 10级精度执行;
2. 探针针头材料为铍铜, 针头硬度>40HRC;
3. 接触电阻<5mΩ, 额定电流12A;
4. 探针头部为尖齿结构, 约为6*6个齿; 采用钝化处理;
5. 针头平面度小于0.05mm;
6. 探针最大压缩行程≥9.0mm; 探针在压缩5mm时, 压力为600g;
7. 探针针轴表面镀金, 其中针头部分镀层 $\delta = 0.5 \mu\text{m}$, 其他部分镀装饰金;
8. 探针针套表面镀镍 尾部采用线端子链接。

					名稱		胜峰科技	
					SF-PH420X430-H4.5		说明: 1、所有尺寸的单位为mm 2、未注图示尺寸公差: 按GB1804-79 11级精度执行。	
标记	处数	更改文件号	签字	日期	图样标记		质量比例	
设计			标准化		S	A		4:1
校对			审定					
审核			制图	HJQ				
工艺			日期	2020.1.10	共	1	页	第

Our Service

1. We can reply your inquiry within 24 working hours.
2. Customized design is available and OEM are welcomed.
3. We can deliver the probe pins to our clients all over the world with speed and precision.
4. We can provide the lowest price with high quality product to our client .

Main Products

Spring loaded pin (single) for PCB, ICT, FCT testing etc;

Pogo pin (connector) to establish connection between two printed circuit boards for charging, locating, Battery, Semiconductor & Interconnect applications;

Double ended probe for BGA and Semiconductor testing;

Universal pin without spring, coating pin, LM pin with QZ and VZ series;

High current probe, Switch probe, Capacitance needle;

Terminal & receptacle /socket;

Other related electronic components, 30# OK wire, Jig locks, POM, Iron hinge etc

production flow



1. Raw material warehouse



2. Lathe workshop



3. Assemble workshop



4. Quality inspection



5. Finished products



6. Packing

Packing Picture



shipping information

Standard products will be delivered out within 3 days. Customized products will be sent out within 15 days.

