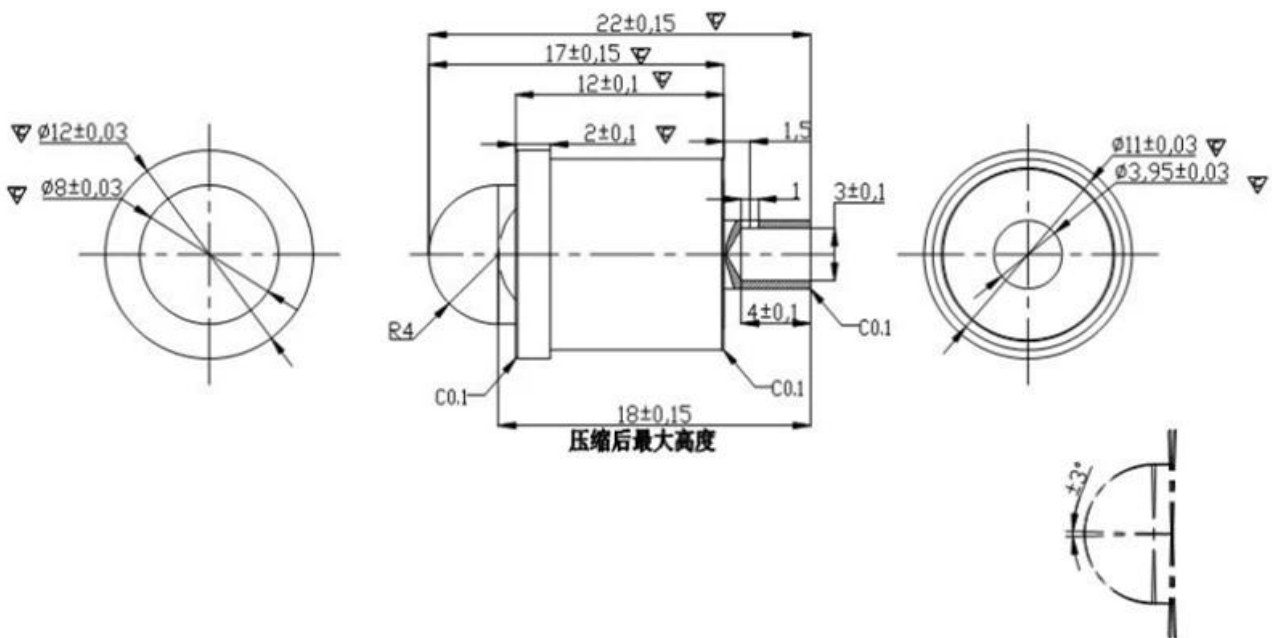


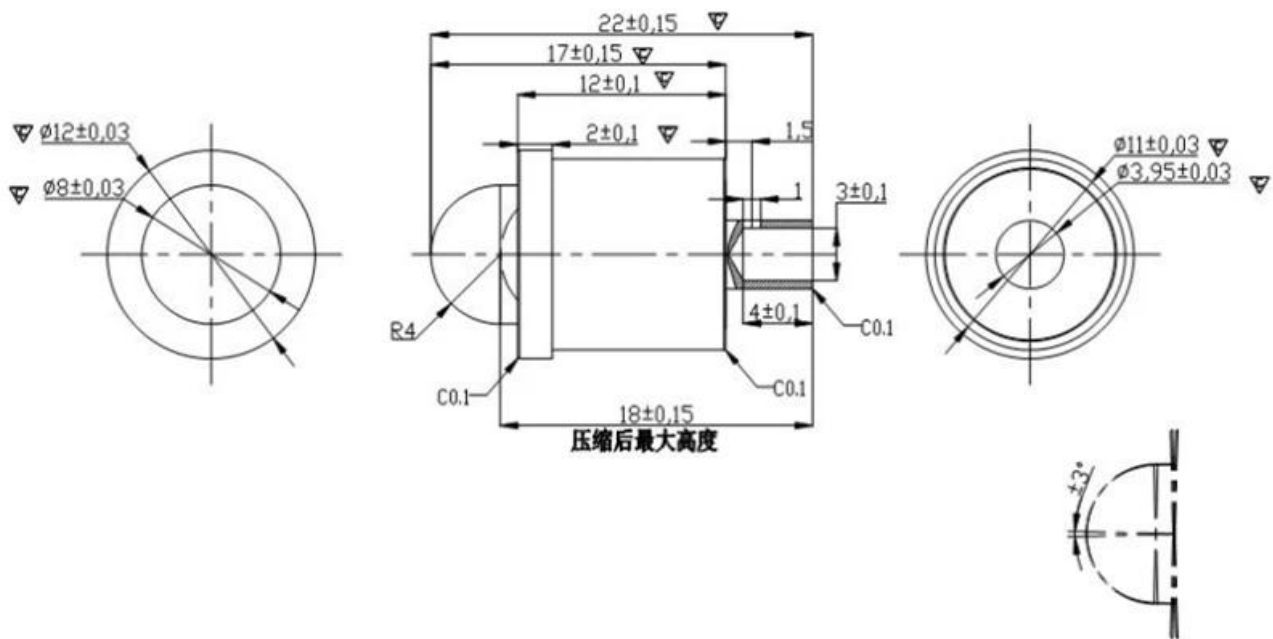
10A current rasion gold plated sring current pogo pin
8.0*22mm

Item	SF-PPA8.0*22MM
Plunger	Brass with gold plated
Barrel	Brass with gold plated
Spring	Stainless steel or music wire
Current rasion	10A
MOQ	100pcs
Package	plasic box, carton box

pogo pin drawing:



Pogo pin picture



Factory & company



Our Service

1. We can reply your inquiry within 24 working hours.
2. Customized design is available and OEM are welcomed.
3. We can deliver the probe pins to our clients all over the world with speed and precision.
4. We can provide the lowest price with high quality product to our client.

Main Products

Spring loaded pin (single) for [PCB](#), [ICT](#), [FCT](#) testing etc;

Pogo pin (connector) to establish connection between two printed circuit boards for charging,

locating, Battery, Semiconductor & Interconnect applications;

BGA test probe pin and Semiconductor testing;







Universal pin without spring, coating pin, LM pin with QZ and VZ series;

High current probe, Switch probe, Capacitance needle;

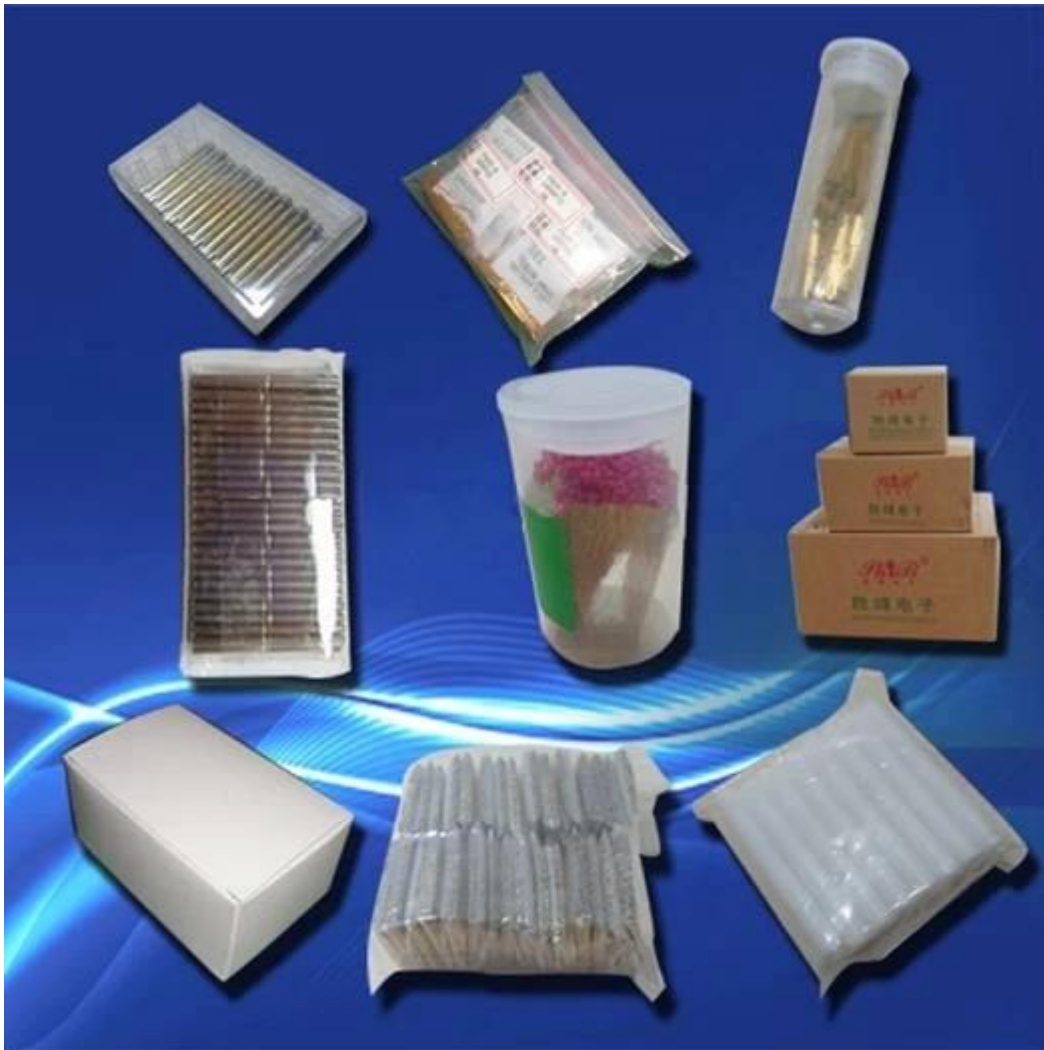
Terminal & receptacle /socket;

Other related electronic components, 30# OK wire, Jig locks, POM, Iron hinge etc

Equipment control

Spring exhausted tester	DC power supply	Current resistance tester
		
Microscope	Tensile strength tester	Spring tester
		

Package



Shipping

