

□□□□

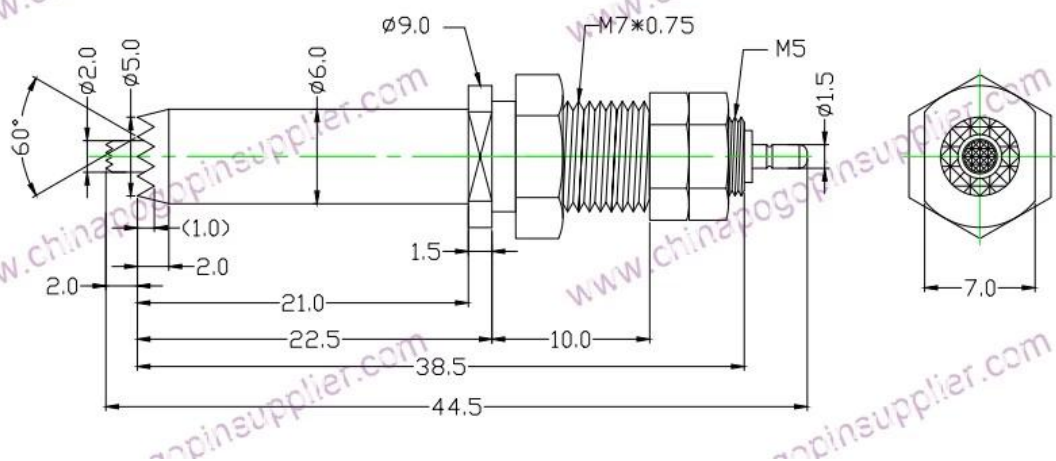
| | |
|--------|---------------------------------|
| □□□□ | SFENG |
| □□□□ | □□□□□□□□SF-PV1- H H M7 * 44.5MM |
| □□□□□□ | □□□□□□□□ |
| □□□□□□ | □□□□□□□□7□□□ |

□□□□



www.chinapogopinsupplier.com

www.chinapogopinsupplier.com



www.chinapogopinsupplier.com

www.chinapogopinsupplier.com

www.chinapogopinsupplier.com

□□□□□□

1. 24 hours your inquiry
2. Customized design OEM
- 3.
- 4.

□□□□

PCB ICT FCT

2 Pogo

BGA

QZ VZ LM

;

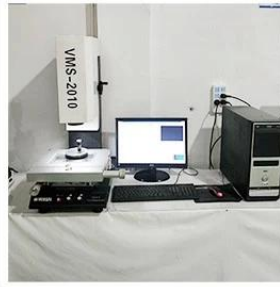
&/

30 OK POM

□□□□



1. Agilent current testing



2. Quadratic element



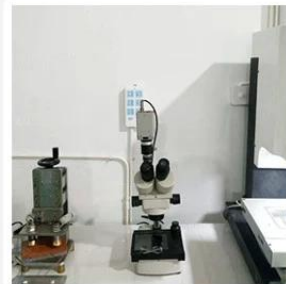
3. Load Curve Meter



4. Bond Test



5. Life Fatigue Test



6. Microscope



Standard products will be delivered out within 3 days. Customized products will be sent out within 15 days.

