

□□□:SF □□□□ □□

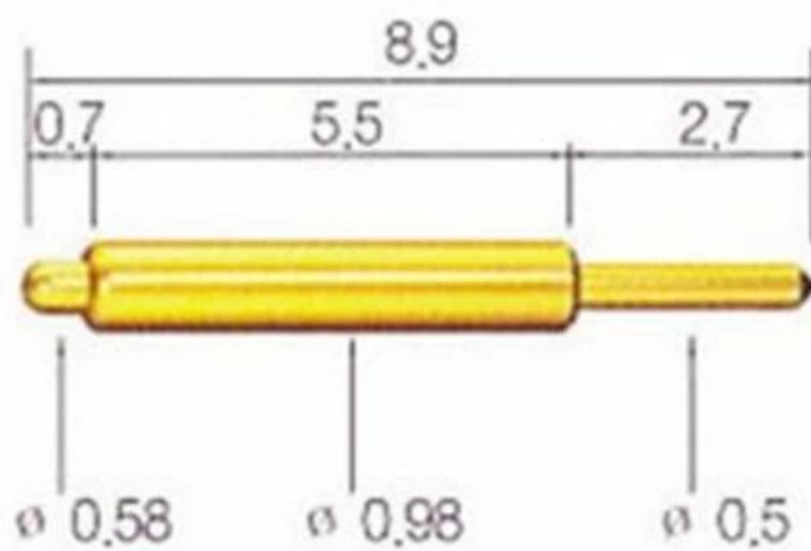
□□□□□□

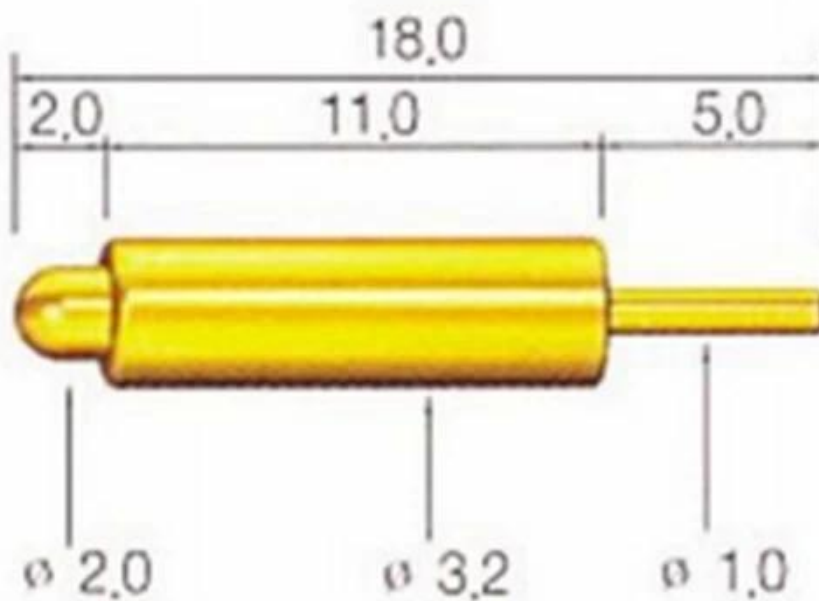
□□□□□□CuRh□□□

□□□:□□□□□□

□□:□□□□□

□□□□□





-
-




ShengFeng

1984 Shengfeng Probe Shengteng Electronic Co.,Ltd
1984 Shengfeng Probe Shengteng Electronic Co.,Ltd
1984 Shengfeng Probe Shengteng Electronic Co.,Ltd



1. 30
- 2.
3. we
4. we



Spring exhausted tester	DC power supply	Current resistance tester
		
Microscope	Tensile strength tester	Spring tester
