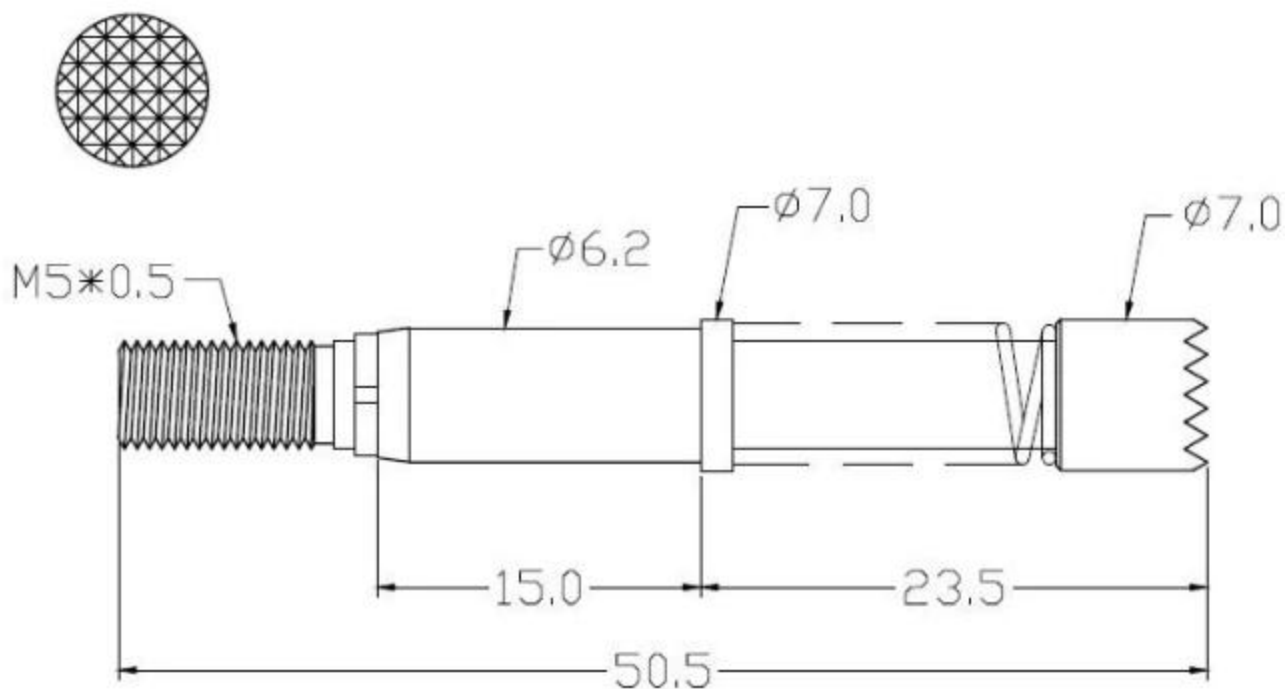


□□□□□

□□□	SF-7.0×50.5
□□	□□□
C□□□□□	30A
□□□□□□□□	5.0mΩ
□□□□□□□	□6.0mm
□□□□□□□	1.5kg±20%□4.0mm□

□□□



□□□□□□□

1. 24 □□□□□□□□□□□□
2. Customized design □□□□□□□□□□ OEM □□□□□□□□□□

3.

4.

PCB ICT FCT ()

2

BGA

QZ VZ LM

30# OK POM



1. Raw material warehouse



2. Lathe workshop



3. Assemble workshop



4. Quality inspection



5. Finished products



6. Packing

□□ □□

Standard products will be delivered out within 3 days. Customized products will be sent out within 15 days.



□□□□□□

