

□□□□

□□□□	SFENG
□□□□	SFM365 105 400 A8001
□□□□□□	□□□□□□□□□□□□□□□□Ni□□□□
□□	□□□□□□□□Ni□□□□
□	SK4□□□□□□
MOQ	100□
□□□□□□	7 □□□□□□□□□□□□□□

□□□□□

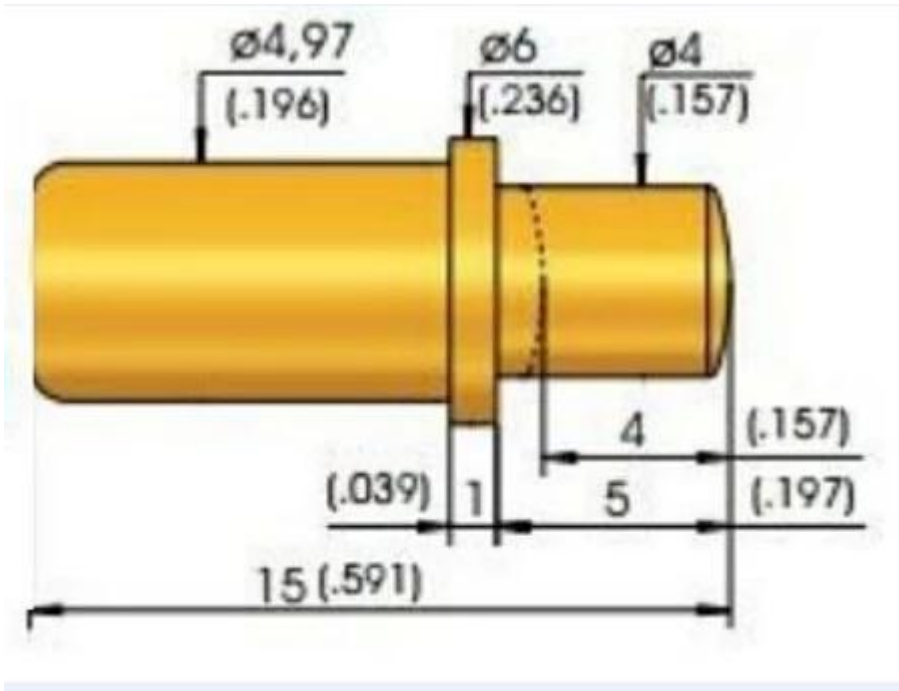
**SFENG**  
The China's The World's

RoHS

QUALITY ASSURED FIRM  
ISO 9001  
SGS

CE

chinapogopinsupplier.com



□□□□□□

- 1.Reply 24□□□□□□□□□□□□
- 2.Customized □□□□□□□□□□OEM□□□□□□□□
- 3.Delivery □□□□□□□□□□□□□□□□□□
- 4.provide □□□□□□□□□□□□□□□□

□□□□

- PCB□ICT□FCT□□□□□□□□□□□□□□
- □□usuallytemporary□□□□□□□□□□□□□□□□
- □□□□□□□□□&□038□□□□□□□□□□□□□□□□□□□□
- interconnectApplications;
- probef orBGA&□038; semiconudtion□□□□
- □□□□coatingpin□LM□□withQZ&□038; VZseries□
- □□□□□□□□□□□□□□□□□□□□□□...
- &□038;□□□□□□□□□□□□□□□□
- □□compents□30□OKwire□□□□□□□□□□POM□Ironhinge□□

□□□□

Spring exhausted tester



DC power supply



Current resistance tester



Microscope



Tensile strength tester



Spring tester



□□□□□□

